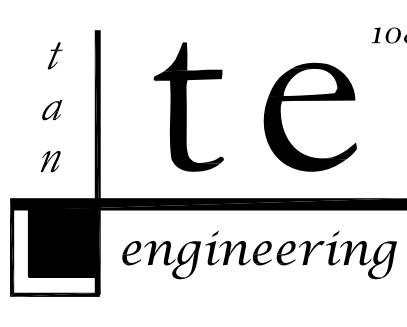


ANZONER DEVELOPMENT GROUP INC

248A Scherer Boulevard
Franklin Square, New York, 11010
516.502.4585
info@anzoner.com

108-18 Queens Blvd., Suite 1A
Forest Hills, NY 11375
tel. 718.268.0988
fax. 718.268.0989
t.e. project no. V100034
www.tanengineering.com



PROJECT:
New Crumbs Bakeshop @
2838 N Clarendon Blvd.
Arlington, Virginia 22201

CLIENT:
Crumbs Bakeshop
110 West 40th Street
New York, New York, 10018

ISSUES:
No. Description
1. REVISED FOR REVIEW
2. REVISED FOR BID

SCALE:

DRAWN BY: RT
SCALE: As Noted
DRAWING TITLE: Electrical Cover Sheet
DRAWING NO.: E-101.00

SHEET 1 OF 3

ELECTRICAL SYMBOLS LIST

NOTE: ALL EQUIPMENT IS NEW UNLESS OTHERWISE NOTED (U.O.N.)

- ⊕ DUPLEX RECEPTACLE, 20A, 125V GROUNDING TYPE, MOUNTING HEIGHT 18" AFF. OR U.O.N. CONFIRM ALL HEIGHTS WITH ARCHITECT PRIOR TO INSTALLATION.
- ⊕FI INDICATES GROUND FAULT INTERRUPTER TYPE
- ⊙ JUNCTION BOX.
- ⊖ MULTIPHASE RECEPTACLE, COORDINATE WITH MANUFACTURER FOR TYPE BEFORE INSTALLATION, CONFIRM ALL INSTALLATION HEIGHTS WITH ARCHITECT.
- 6-30R = NEMA DESIGNATION
- 3 1 NEW BRANCH CIRCUIT HOWERUN TO ELECTRIC PANEL, HALL ARROWS INDICATE NUMBER OF CIRCUITS, NUMERALS INDICATE ASSIGNED CIRCUIT NUMBERS.
- MULTI PHASE HOWERUN
- GROUND CONNECTION
- ZZZZ ELECTRICAL POWER PANEL
- ~ FLEXIBLE EQUIPMENT CONNECTION
- Ⓜ MOTOR
- Ⓜ UNLINED DISCONNECT SWITCH (3 POLE UNLESS OTHERWISE NOTED)
- 60/2 60 - 2 FRAME SIZE
- 60/2 2 - 2 POLE
- Ⓜ FUSED DISCONNECT SWITCH (3 POLE UNLESS OTHERWISE NOTED)
- 60/25/2 60 - 2 FRAME SIZE
- 60/25/2 5A - FUSE SIZE
- MP - WEATHER PROOF (NEMA 3R)
- Ⓜ MOTOR CONTROLLER WITH INTEGRAL DISCONNECT SWITCH
- Ⓜ TOGGLE TYPE THERMAL DISCONNECT SWITCH, 277 VOLT, HORSE POWER RATED
- Ⓜ MALL MOUNTED SWITCH, 277 VOLT, 20 AMP
- Ⓜ 3 = THREE WAY SWITCH
- ▼ TELEDATA RECEPTACLE, PROVIDE JUNCTION BOX AND 5/4" CONDUIT STRIPPED 6 INCHES ABOVE THE HUNG CEILING IN AN ACCESSIBLE LOCATION.
- Ⓜ MOTORIZED DAWPER, PROVIDE TOGGLE TYPE THERMAL DISCONNECT SWITCH, COORDINATE WITH MECHANICAL CONTRACTOR FOR EXACT LOCATION.

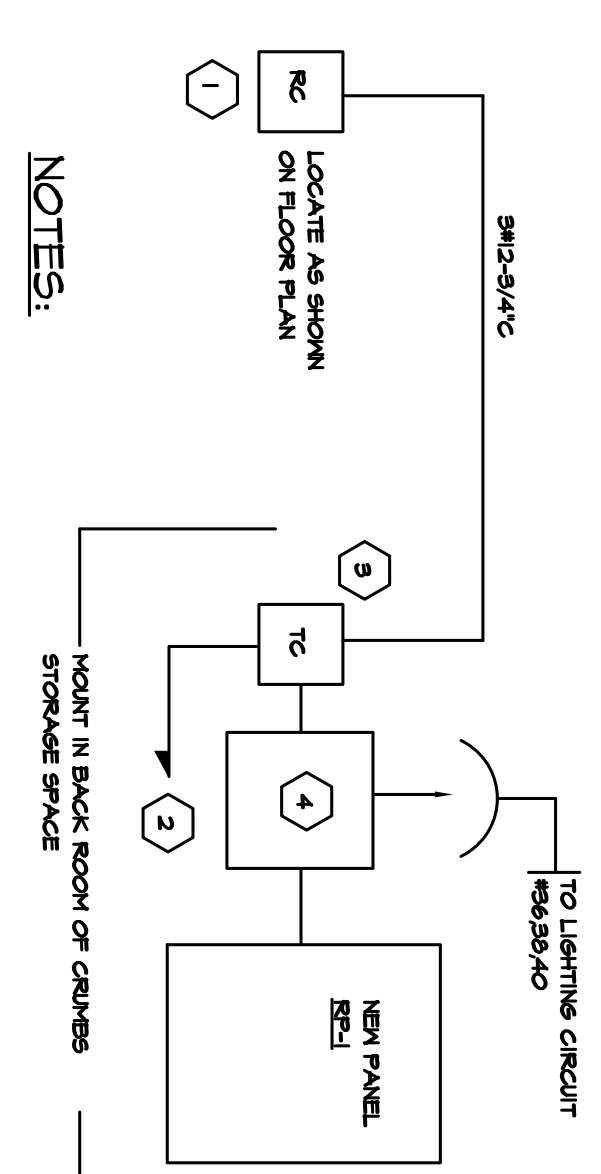
PANEL SCHEDULES

NOT TO SCALE

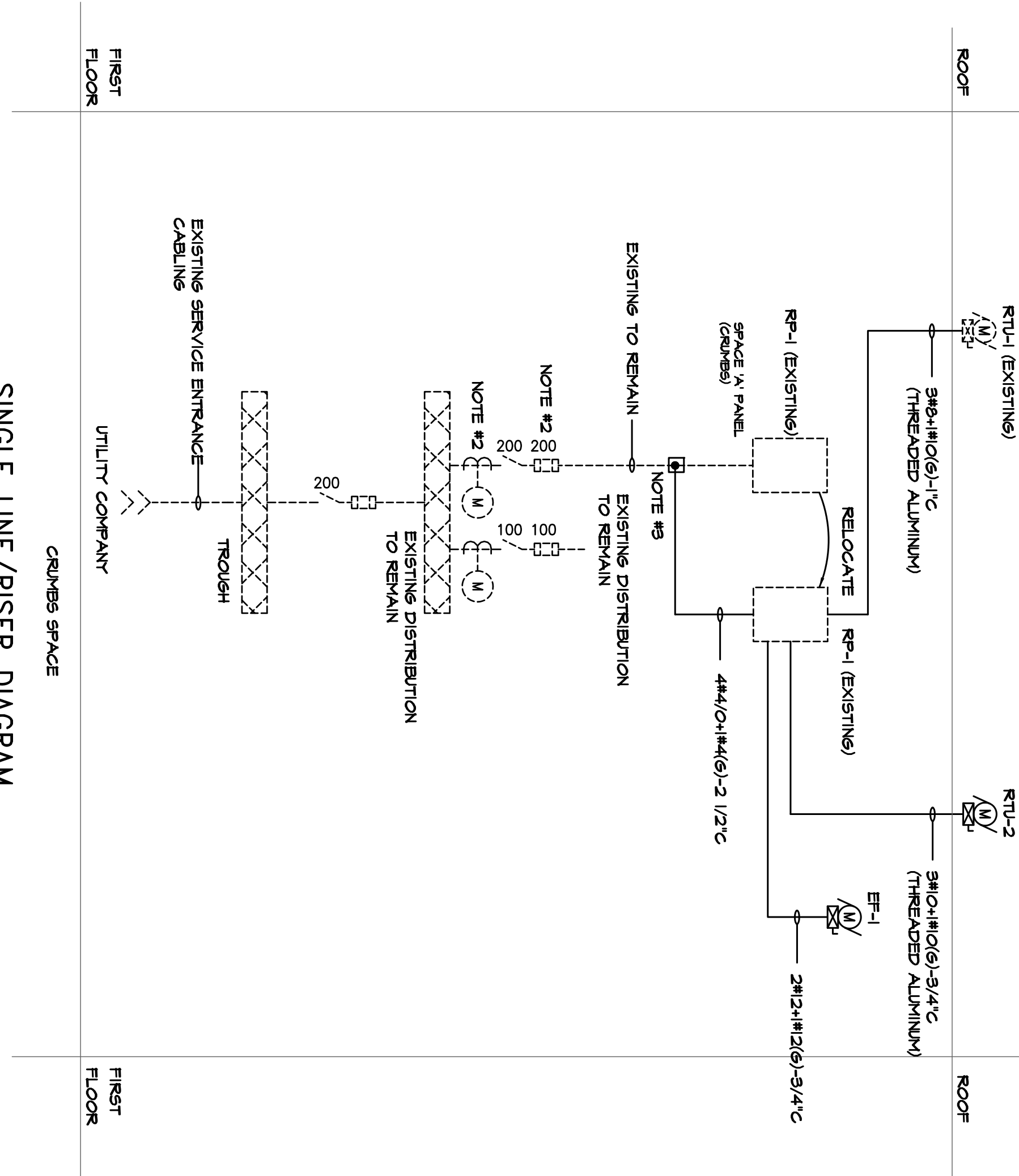
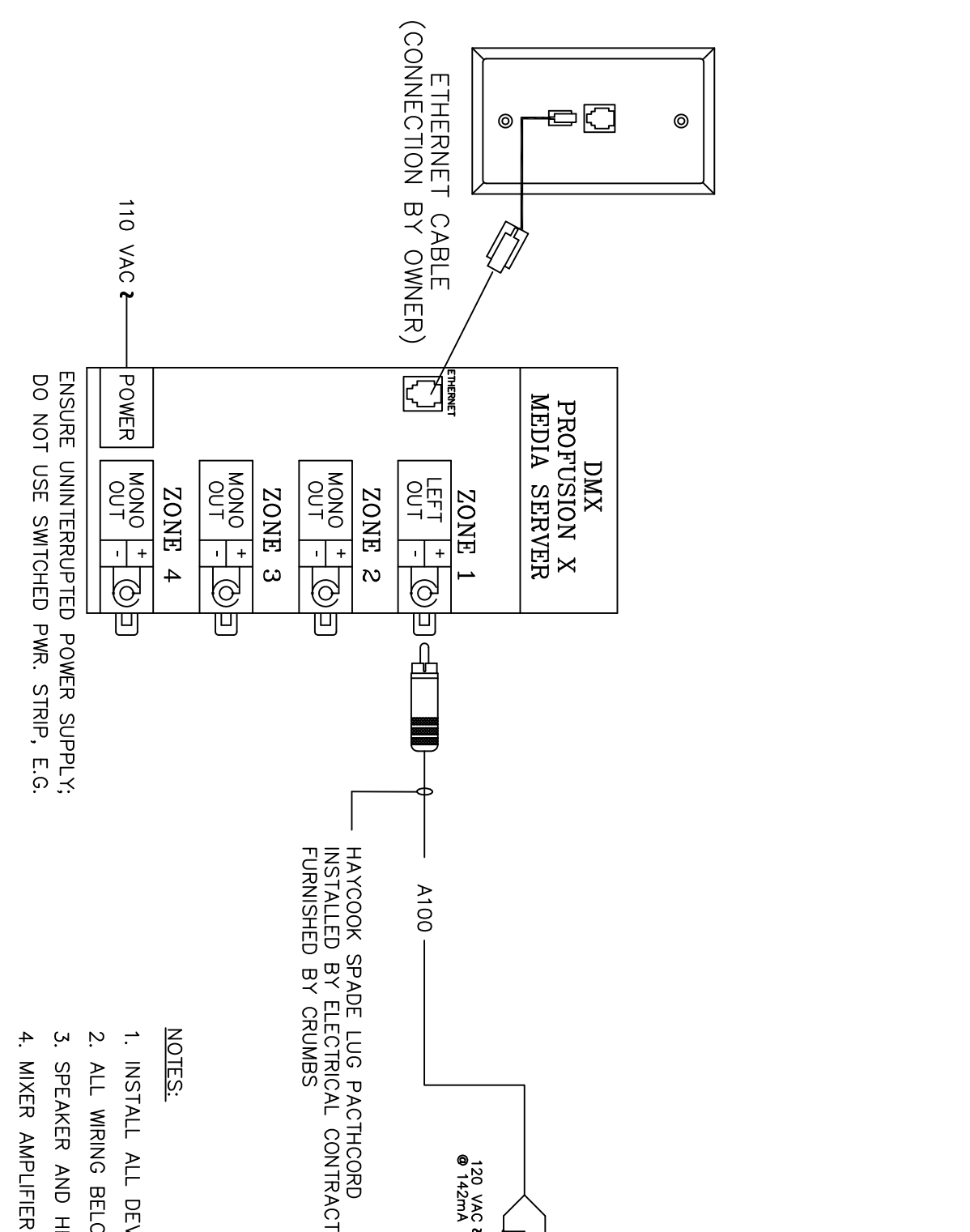
CMT. NO.	RIP. AMPS	DESCRIPTION OF LOAD	PER PHASE LOAD (KVA)			DESCRIPTION OF LOAD	RIP. AMPS	CMT. NO.
			A	B	C			
PANEL: RP-1 (EXISTING GE PANEL)								
LOCATION: FIRST FLOOR			MOUNTING: SURFACE			MAIN BUS: 225 AMPS		
BUILDING: -			COPPER BUS: ALUMINUM BUS			AIC: 24,000		
FED FROM: -			ISOLATED GROUND BUS			LUS ONLY		
FEEDER SIZE: 4#/0+1#4(0)-2-1/2" C			GROUND BUS: SHUNT TRIP BRKR			FEED: TOP		
1	20	GENERAL CONVENIENCE	-	-	-	ICE MACHINE (6)	20	2
3	20	REACH-IN REFRIGERATOR	-	-	-	COUNTER CONVENIENCE	20	4
5	20	KITCHEN WORK TABLE	-	-	-	COFFEE BREWER (13)	2P	6
7	20	BAKERY CASE	-	-	-	UNDERCOUNTER REFRIGERATOR	20	10
9	20	POINT OF SALE	-	-	-	SPARE	20	12
11	20	OFFICE CONVENIENCE	-	-	-	DMX MUSIC	20	14
13	20	DRPP SAFE (24)	-	-	-	MUSIC SYSTEM	20	16
15	20	EMPLOYEE TIME CLOCK	-	-	-	CARBONATOR (29)	20	18
17	20	COFFEE GRINDER (11)	-	-	-	ESPRESSO MACHINE (12)	2P	20
19	20	ESPRESSO GRINDER (14)	-	-	-	ESPRESSO GRINDER (14)	20	26
21	3P	RU-1 (EXISTING)	-	-	-	SPARE	20	28
23	40	RU-2	-	-	-	SPARE	20	30
25	30	SPARE	-	-	-	SPARE	20	32
27	20	SPARE	-	-	-	SPARE	20	34
29	20	SPARE	-	-	-	SPARE	20	36
31	20	SPARE	-	-	-	SPARE	20	38
33	20	SPARE	-	-	-	SPARE	20	40
35	20	SPARE	-	-	-	SPARE	20	42
37	20	SPARE	-	-	-	SPARE	20	
39	20	SPARE	-	-	-	SPARE	20	
41	20	SPARE	-	-	-	SPARE	20	

* REMOVE EXISTING BREAKER & PROVIDE NEW BREAKER SHOWN

- \$ LIGHT SWITCH, 277 VOLT, 20 AMPERE
- Ⓜ FUSED SWITCH (3 POLE UNLESS OTHERWISE NOTED)
- 100 - FRAME SIZE
- TO - FUSE SIZE
- UNLINED SWITCH (3 POLE UNLESS OTHERWISE NOTED)
- 100 - FRAME SIZE



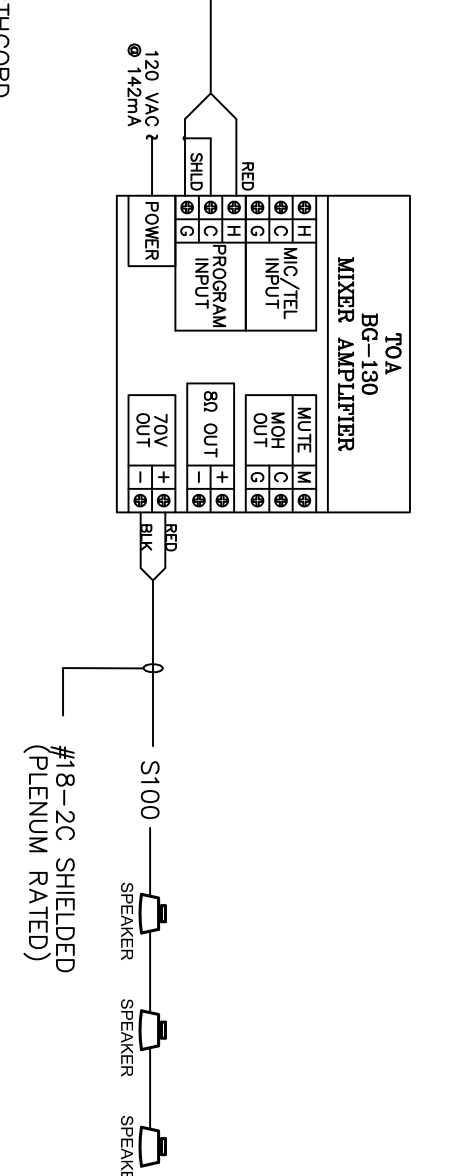
TIME CLOCK CONTROL WIRING DIAGRAM



SINGLE LINE/RISER DIAGRAM

NOT TO SCALE

- NOTES:**
1. ALL EXISTING DISTRIBUTION IS SHOWN DASHED. ALL NEW DISTRIBUTION IS SHOWN AS SOLID AND DARK.
 2. PROVIDE NEW FUSES FOR ALL SWITCHES. ALL NEW FUSES SHALL BE SAME TYPE AND BRAND. COORDINATE WITH MECHANICAL CONTRACTOR FOR FUSE SIZES.
 3. RELOCATE EXISTING 200 AMPERE FEEDER IN CRAWLS SPACE. EXTEND FEEDER TO NEW LOCATION OF PANEL. EXTEND EXISTING 200 AMPERE FEEDER TO NEW PANELS RP-1, AS SHOWN. CONDUIT AND WIRE AS INDICATED.
 4. COORDINATE WITH LANDLORD FOR POWERING DOWN OF THE FEEDER BEFORE WORK BEGINS.
 5. CONFIRM EXACT LOCATION OF EXISTING PANELBOARD TO BE REMOVED.
 6. RTU-1 IS EXISTING TO BE RECIRCULATED AS SHOWN. RTU-2 IS NEW AND SHALL BE CIRCUITED AS SHOWN.



AUDIOVISUAL EQUIPMENT LEGEND			
SYMBOL	DESCRIPTION	QTY	TYPE
MU	MAIN AUDIO/VIDEO RECORD EQUIPMENT	3	BOSE DS 16F MAIN SPEAKERS
DMX	DMX PRODUCTION X MEDIA SERVER	1	TAP

- NOTES:**
1. INSTALL ALL DEVICES AS SHOWN. EXACT LOCATIONS TO BE DETERMINED IN FIELD.
 2. ALL WIRING BELOW HUNG CEILING SHALL BE IN CONDUIT.
 3. SPEAKER AND HEAD END IS FURNISHED BY OTHERS. INSTALLED BY ELECTRICAL CONTRACTOR.
 4. MIXER AMPLIFIER FURNISHED BY OTHERS. INSTALLED BY ELECTRICAL CONTRACTOR.
 5. DMX MEDIA SERVER FURNISHED BY OTHERS. INSTALLED BY ELECTRICAL CONTRACTOR.
 6. SPEAKERS FURNISHED BY OTHERS. INSTALLED BY ELECTRICAL CONTRACTOR.
 7. SPEAKER CABLING FURNISHED AND INSTALLED BY ELECTRICAL CONTRACTOR.
 8. SEE FLOOR PLAN FOR DEVICE LOCATIONS.