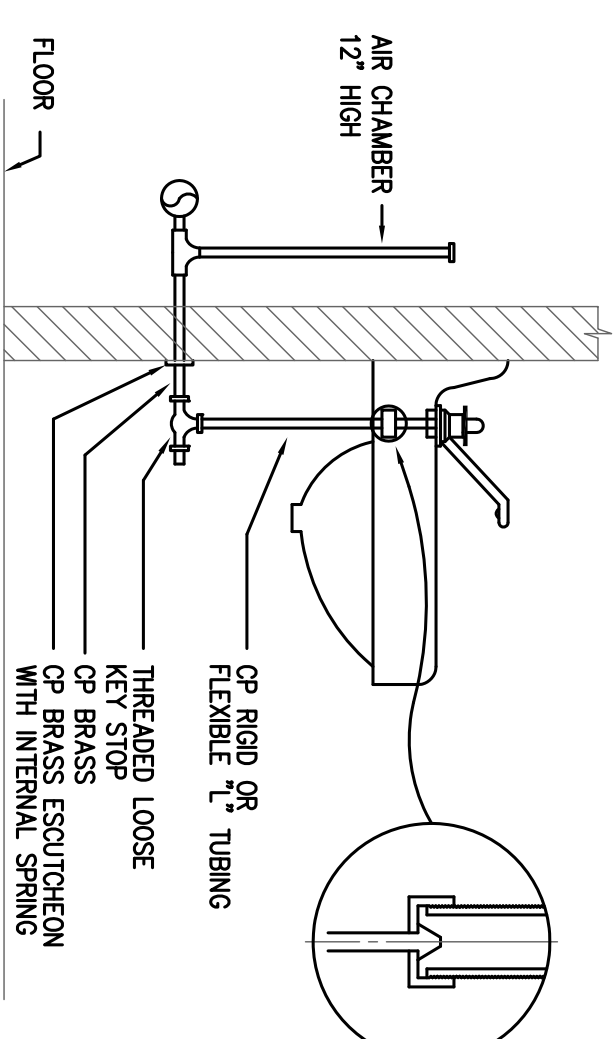
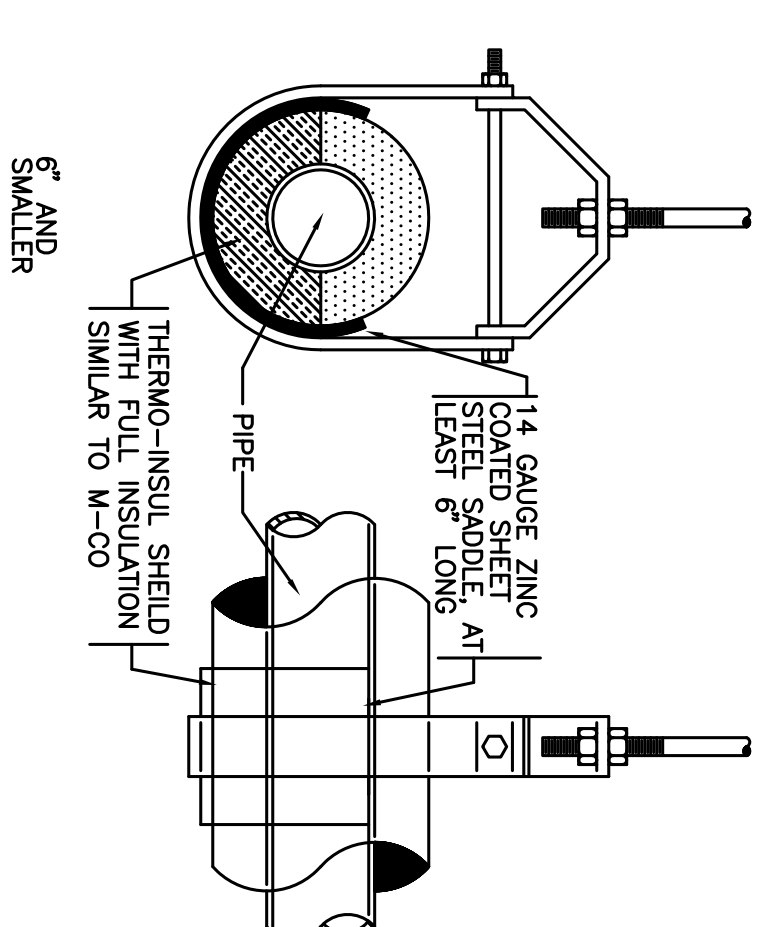


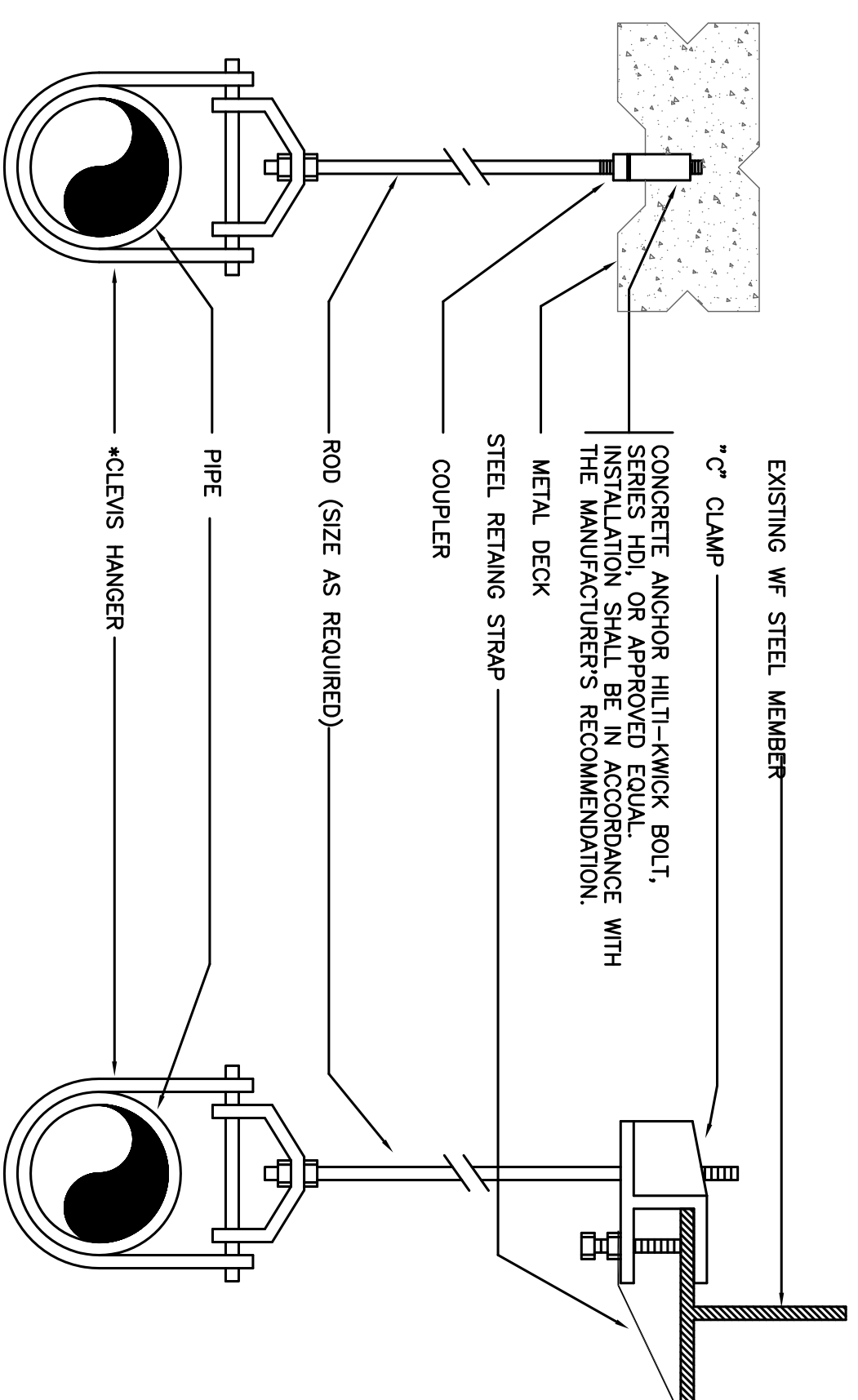
PIPE PENETRATION WITHOUT INSULATION



HOT & COLD WATER SUPPLY

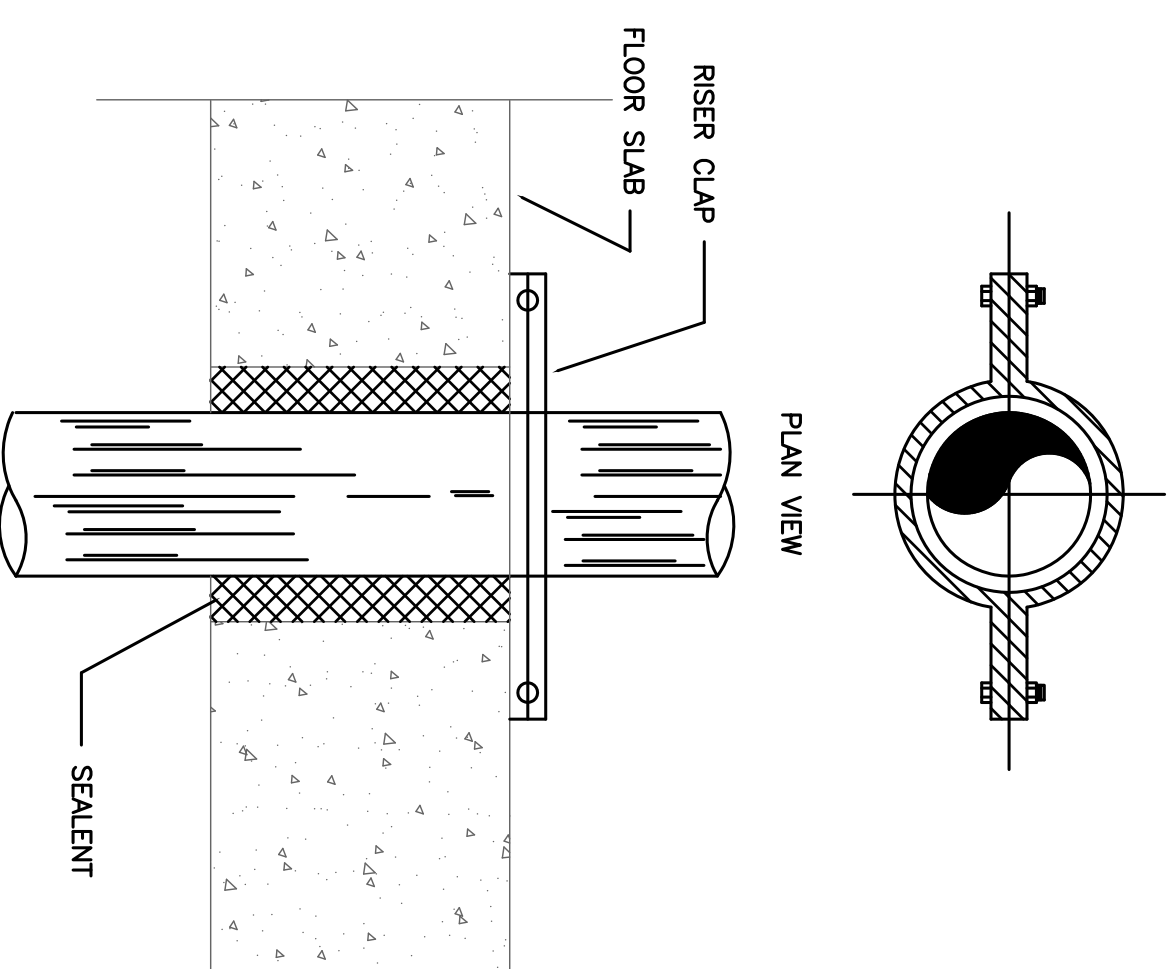


INSTALLATION DETAIL AT HANGER

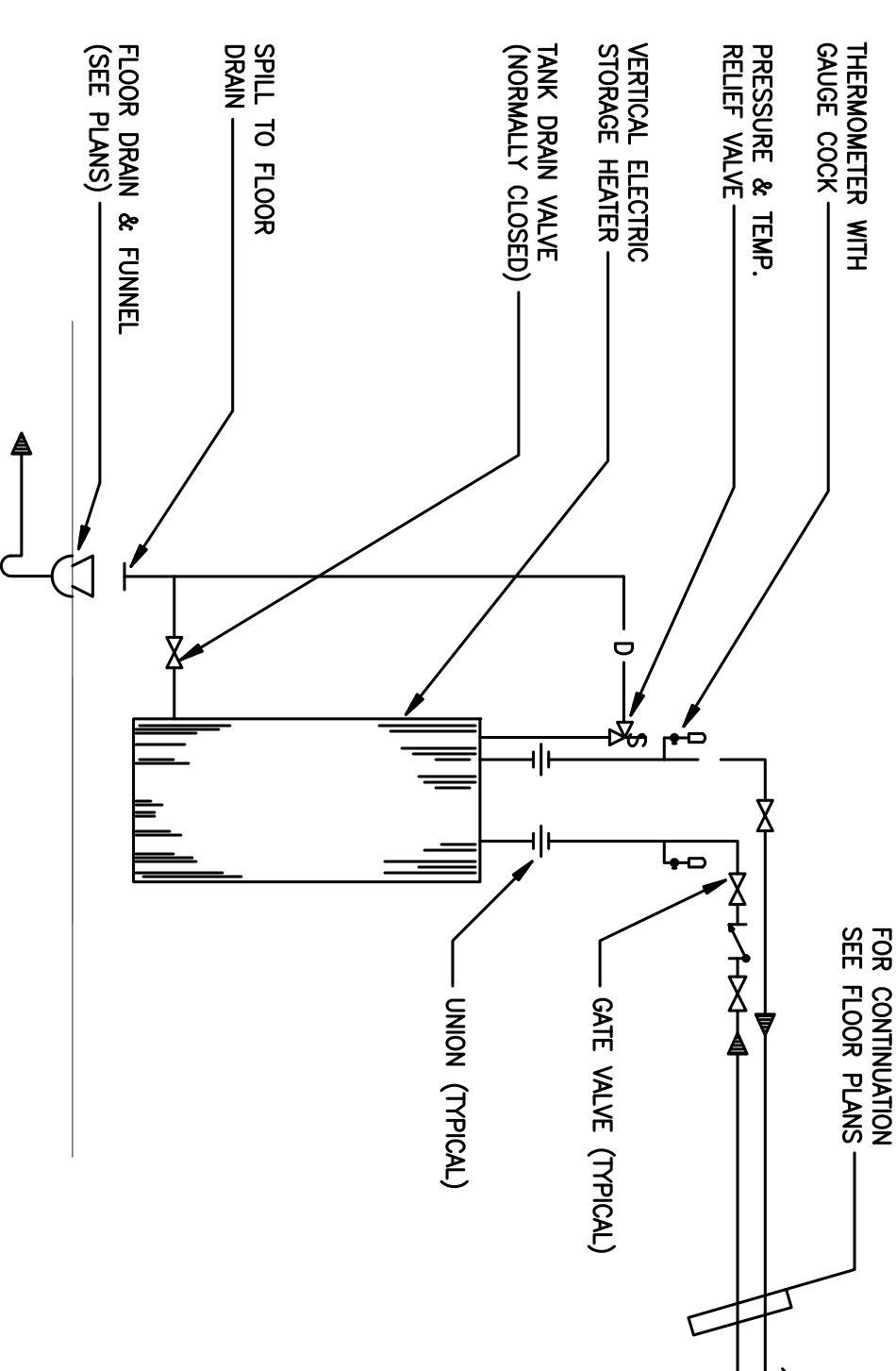


TYPICAL HANGER DETAIL

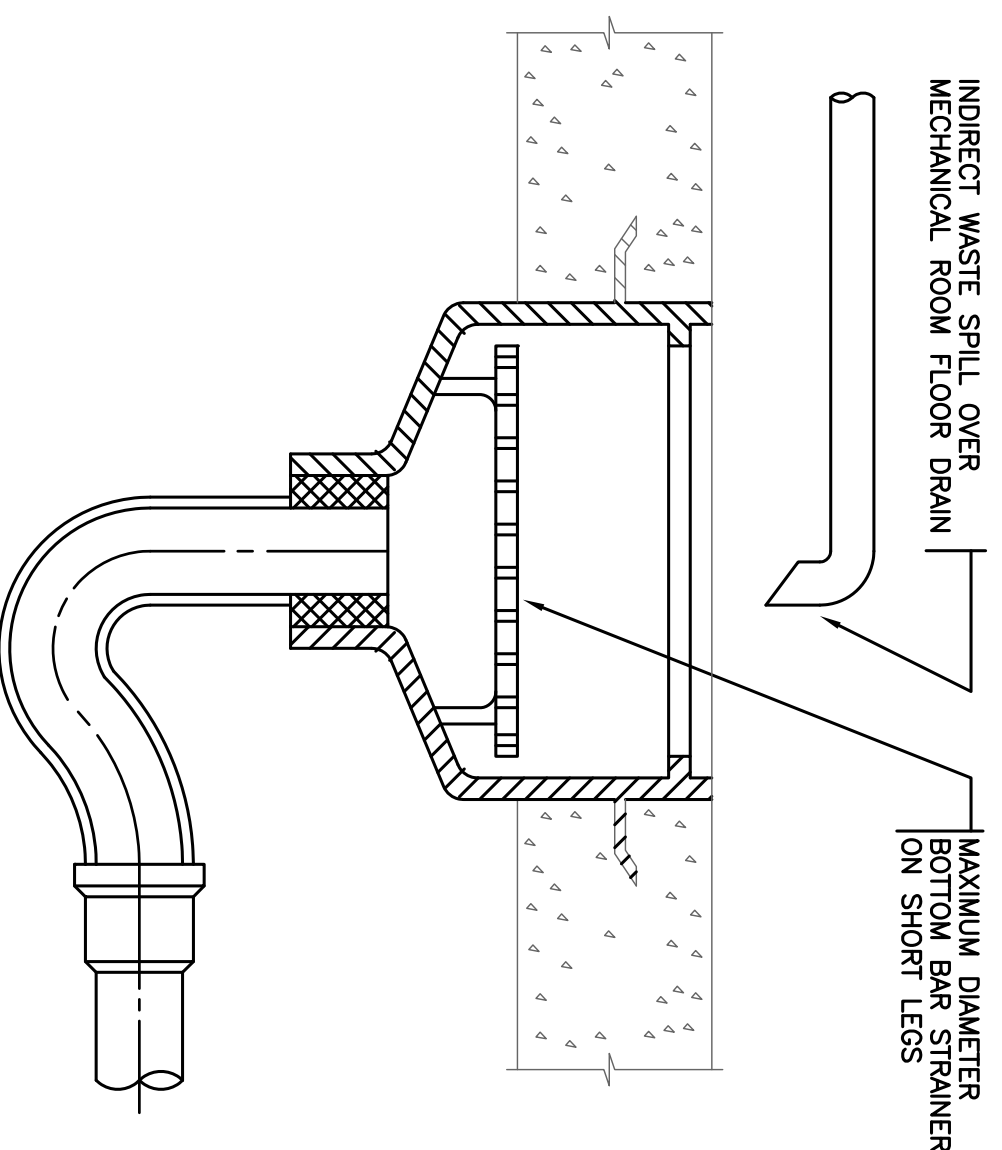
\* CLEVIS HANGERS REQUIRED ON PIPING LARGER 1" GENERAL PURPOSE HANGERS MAY BE USED ON PIPING 1" OR SMALLER.



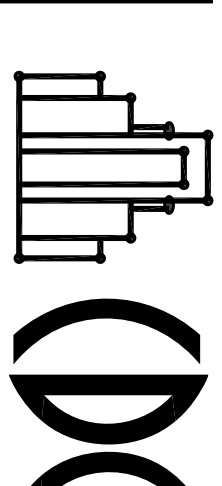
PIPE SLEEVE THRU FLOOR SLAB



ELECTRIC DOMESTIC WATER HEATER



TYPICAL FLOOR SINK FOR INDIRECT WASTE



**ANZONERI  
DEVELOPMENT  
GROUP INC.**

248A Scherer Boulevard  
Franklin Square, New York 11010  
516.502.4555  
info@anzoneri.com

108-18 Queens Blvd., Suite 1A  
Forest Hills, NY 11375  
tel. 718.268.0988  
fax. 718.268.0989  
t.e. project no. Y100034  
www.tanengineering.com

**tan**  
engineering

PROJECT:  
**New Crumbs Bakeshop @**  
2838 N Clarendon Blvd.  
Arlington, Virginia 22201

CLIENT:  
Crumbs Bakeshop  
110 West 40th Street  
Suite 310  
New York, New York 10018

ISSUES:  
No. Date Description  
1 06.23.10 ISSUED FOR BID

SEAL:

DRAWN BY:  
RT

SCALE:  
As Noted

DRAWING TITLE:  
Plumbing Details

DRAWING NO.

**P-301.00**

SHEET 3 OF 4