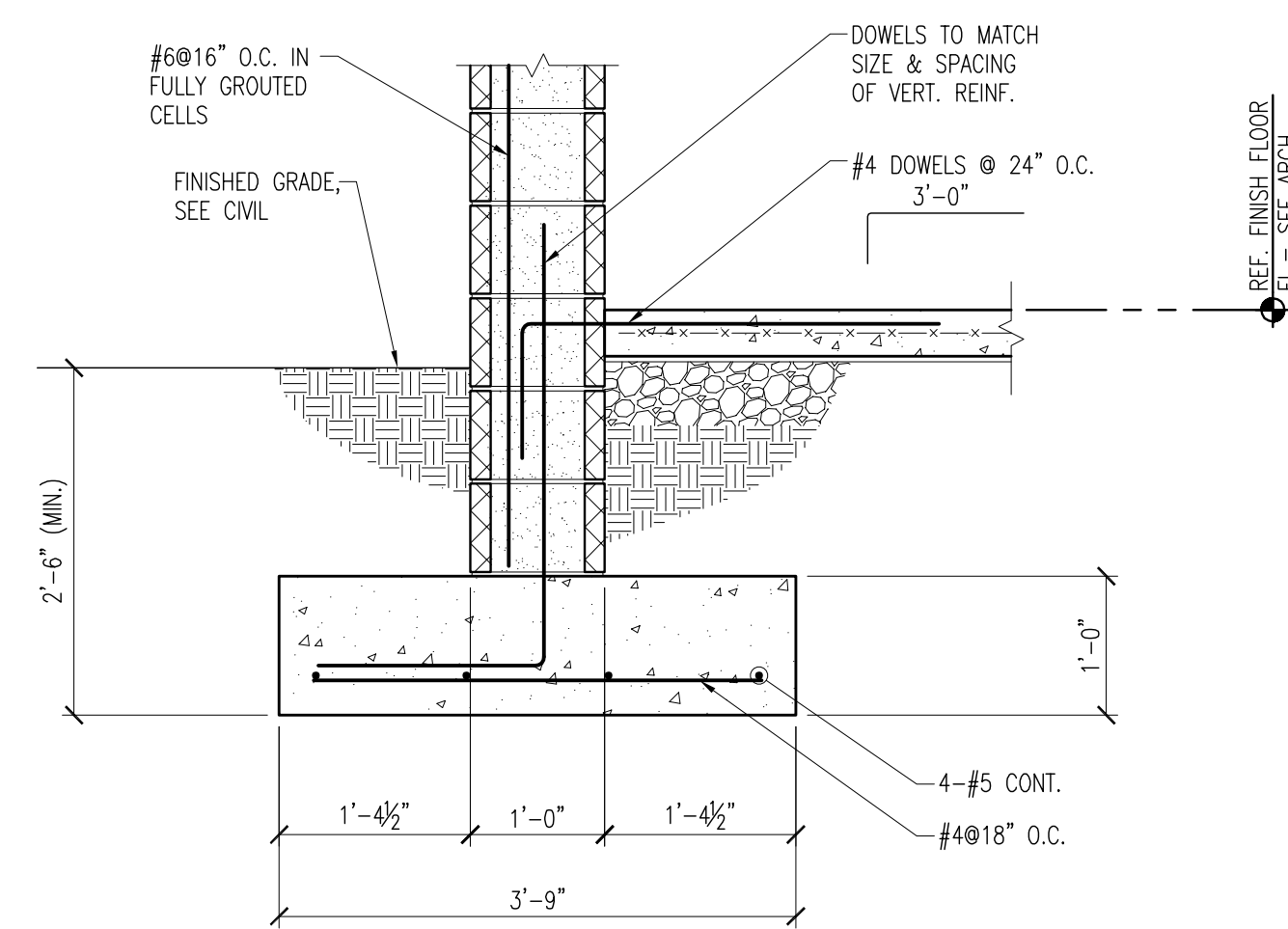
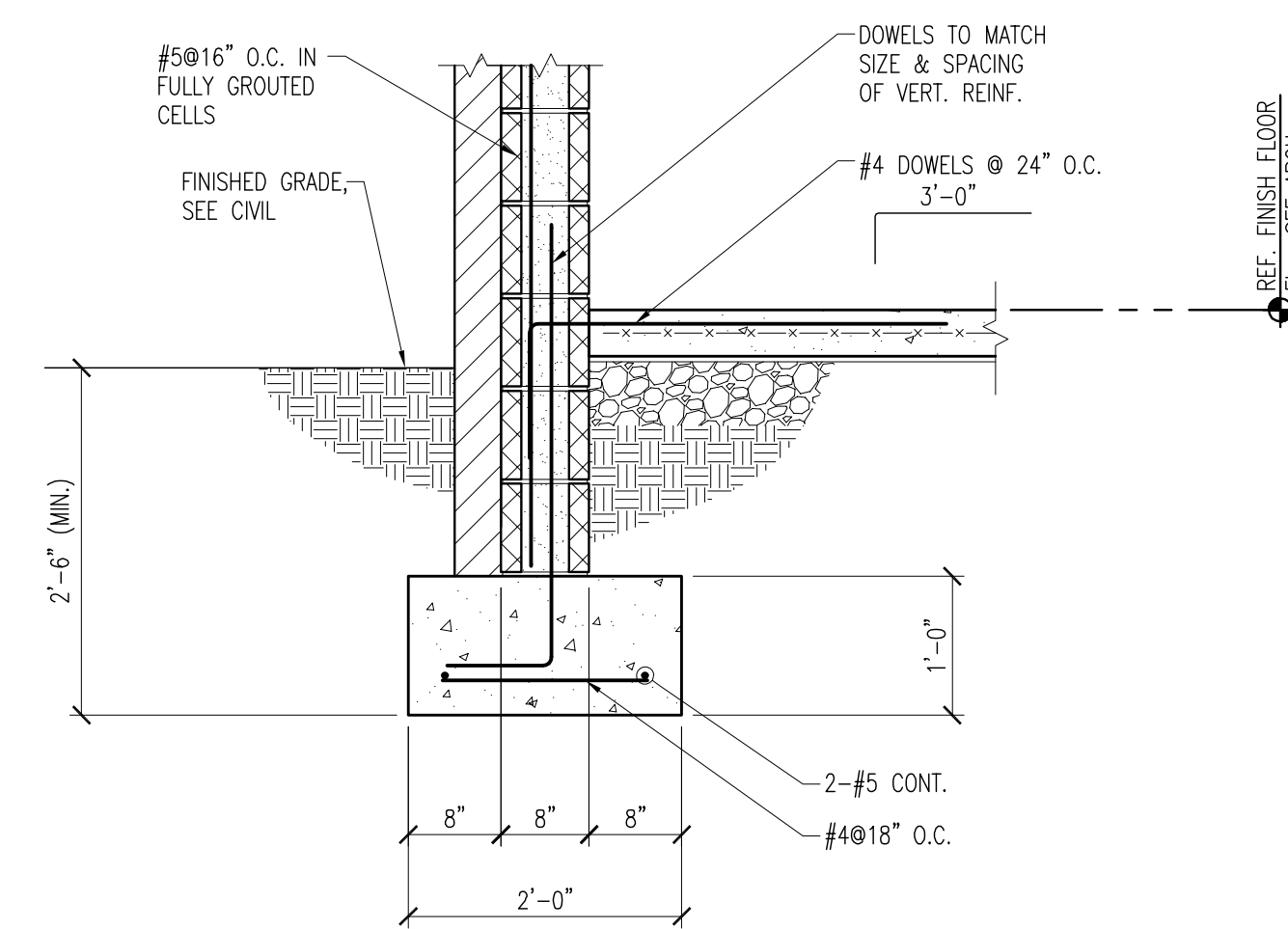


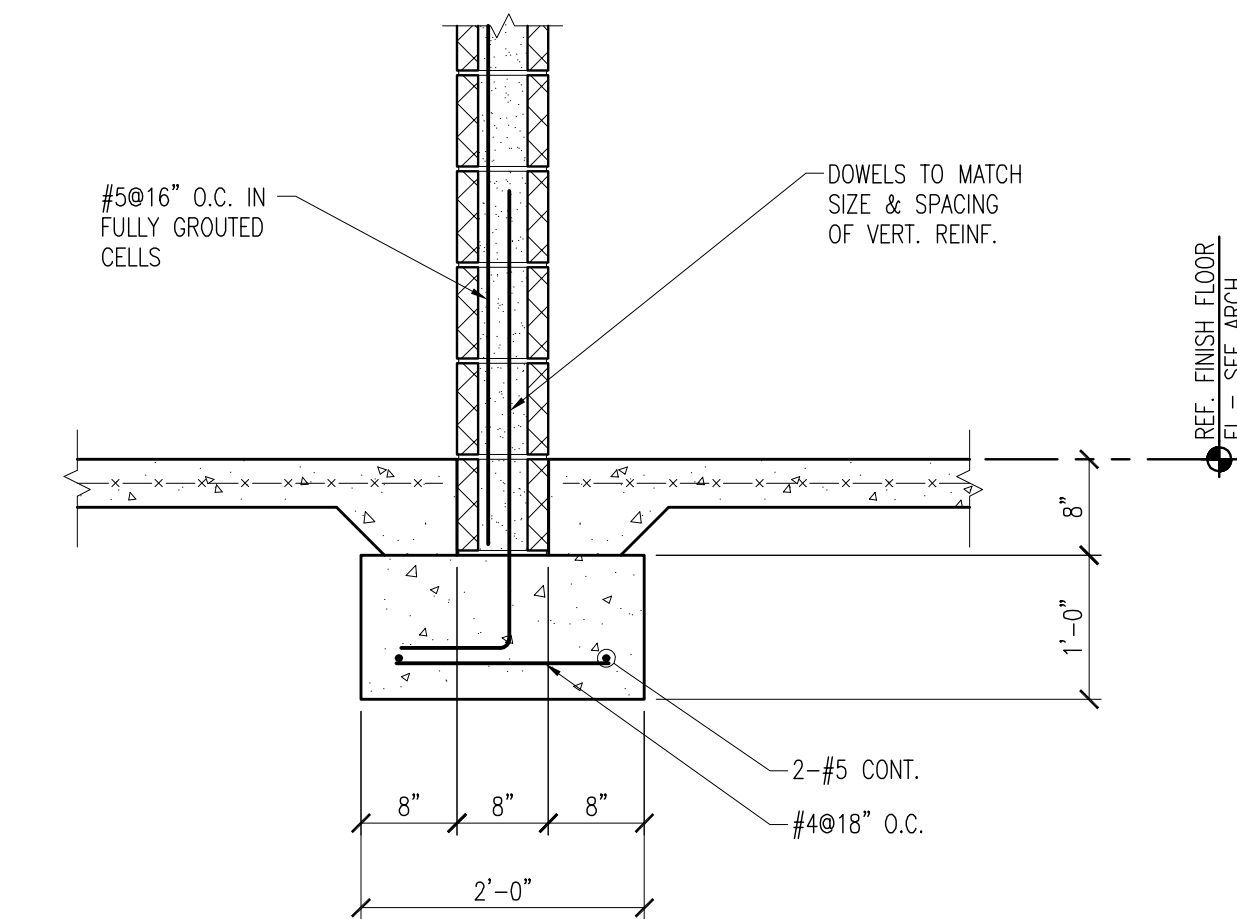
1 SECTION
S-3 SCALE: 3/4"=1'-0"



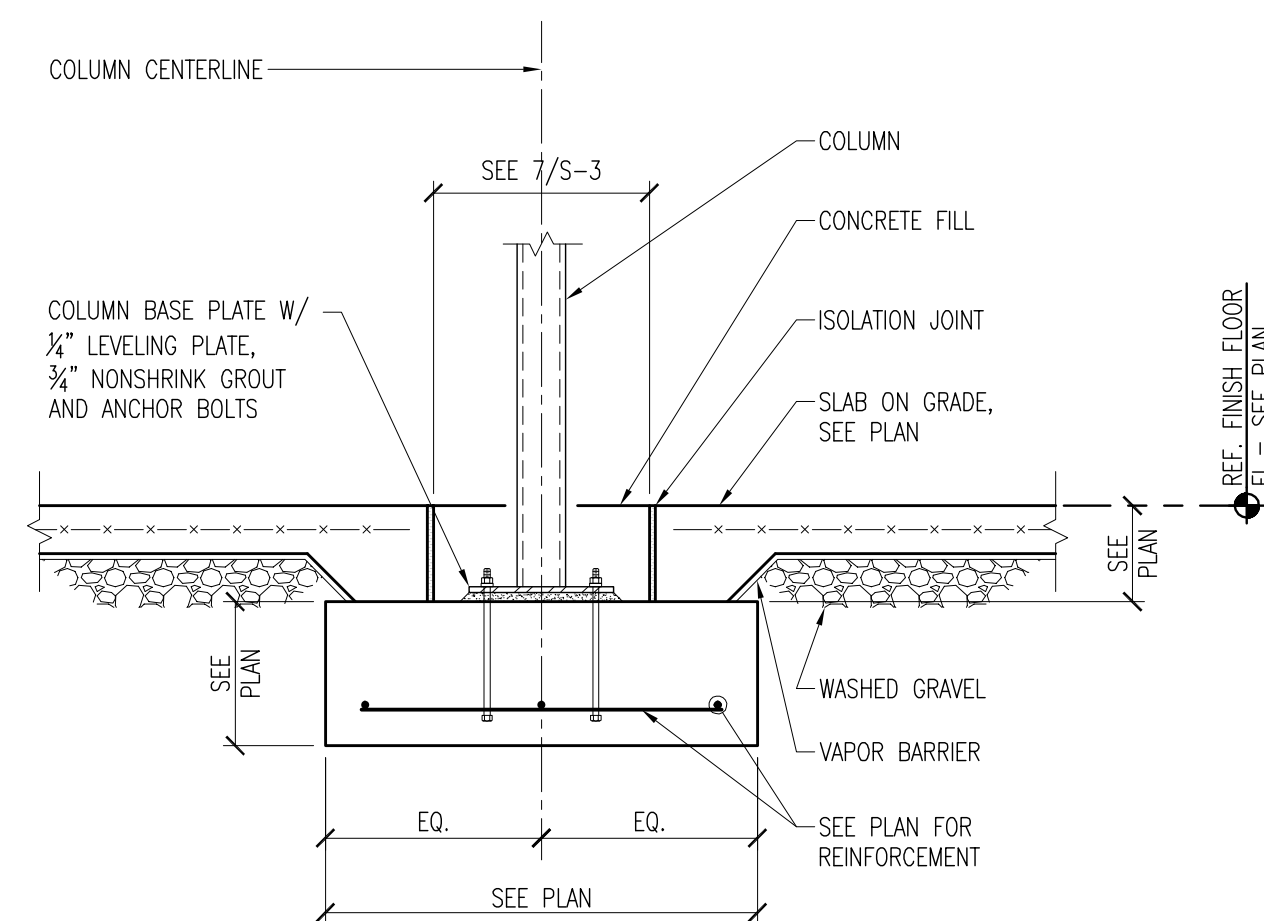
2 SECTION
S-3 SCALE: 3/4"=1'-0"



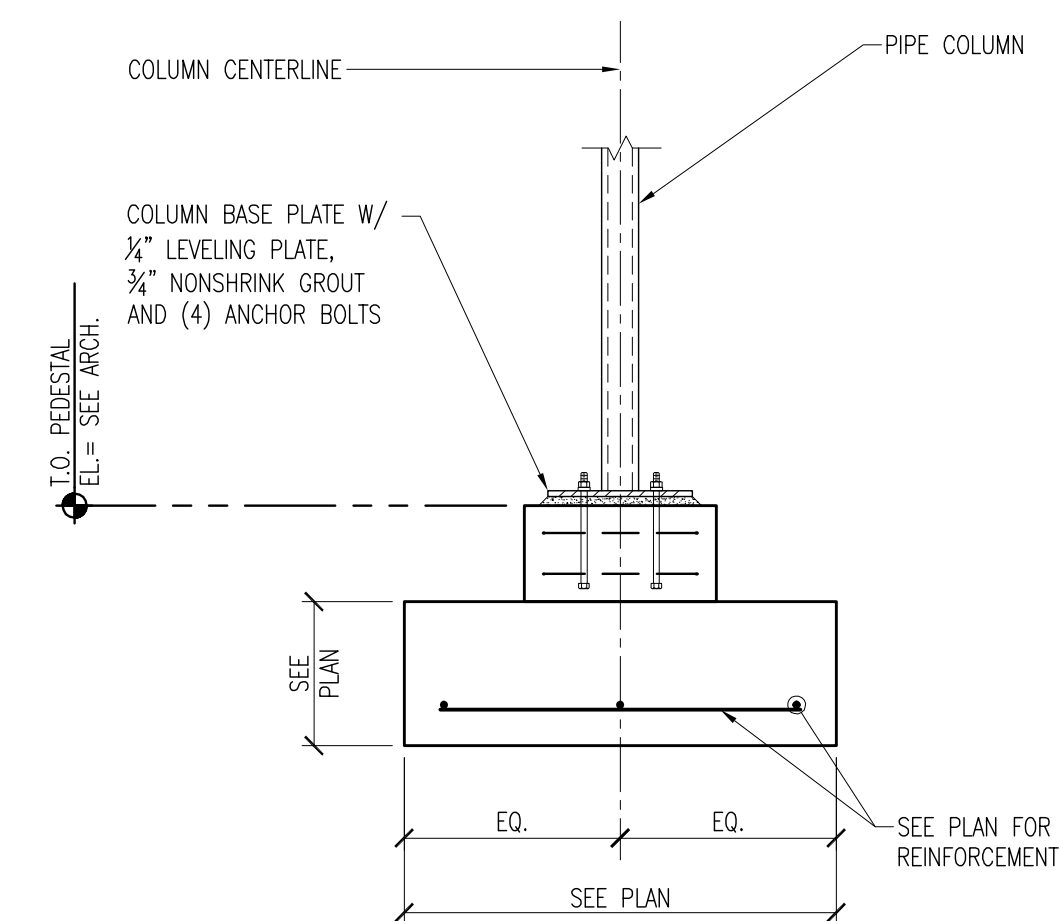
3 SECTION
S-3 SCALE: 3/4"=1'-0"



4 SECTION
S-3 SCALE: 3/4"=1'-0"

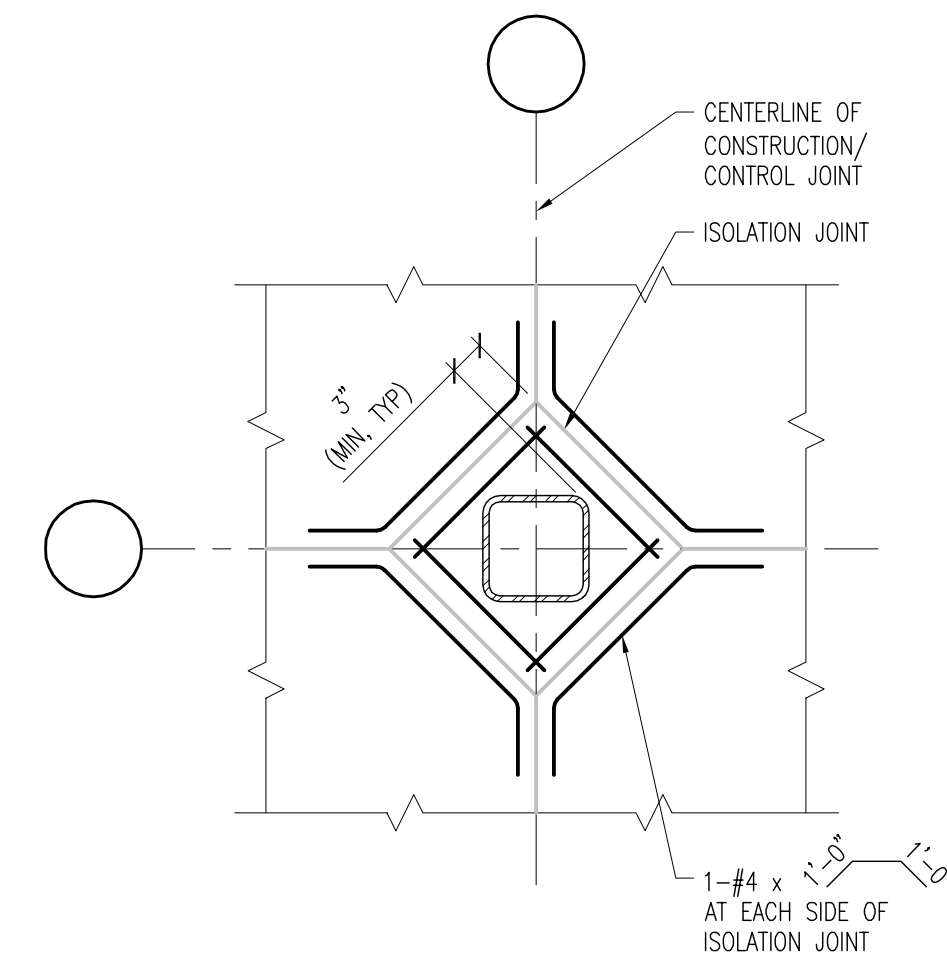


5 SECTION
S-3 SCALE: N.T.S.

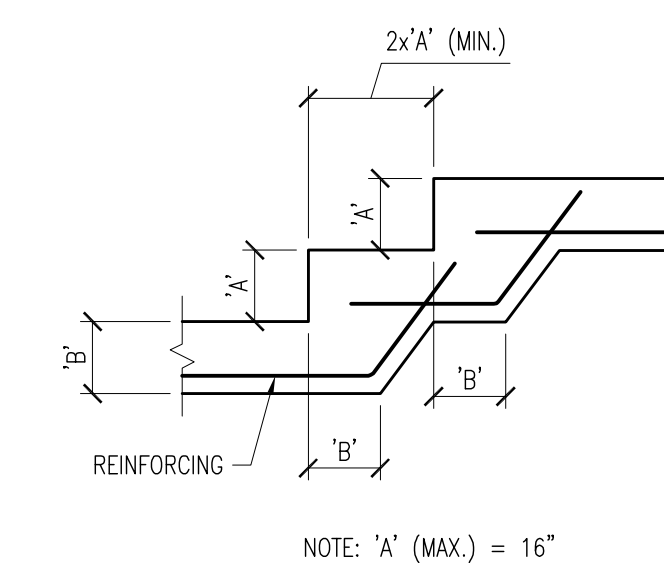


6 SECTION
S-3 SCALE: N.T.S.

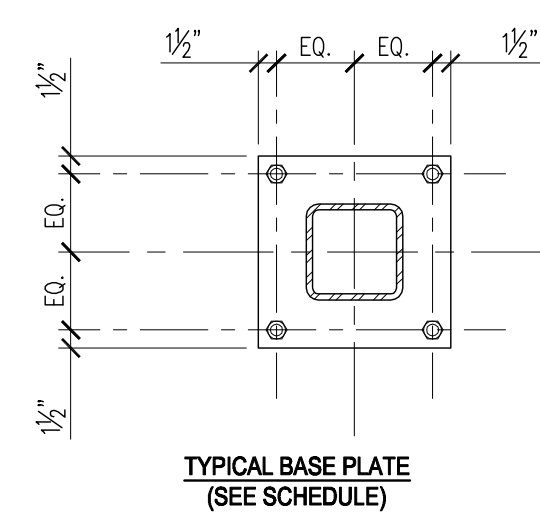
CONCRETE FILL



7 TYPICAL ISOLATION JOINT DETAIL
S-3 SCALE: N.T.S.



8 TYPICAL STEPPED WALL FOOTING SECTION
S-3 SCALE: N.T.S.



BASE PLATE SCHEDULE	
COLUMN TYPE	PLATE SIZE

9 TYPICAL BASE PLATE/ANCHOR BOLT DETAIL
S-3 SCALE: 3/4"=1'-0"

TO BE COORDINATED BY
COGUN, INC.
11369 Market Street
North Lima, Ohio
330-549-5521

Kim Jones, A.I.A.
118 11th St. S.E.
Washington, D.C. 20003
202-543-2493

OLDE TOWN ENGINEERING CO.
STRUCTURAL CONSULTANTS
11111 WOODBURN AVENUE, SUITE 200
PARKERSBURG, WV 26101
304-793-7000
www.olde-town-engineering.com

Sections and Details

Light of the World
Family Ministries
Annapolis, MD

June 21, 2007
Scale as Noted

S-3