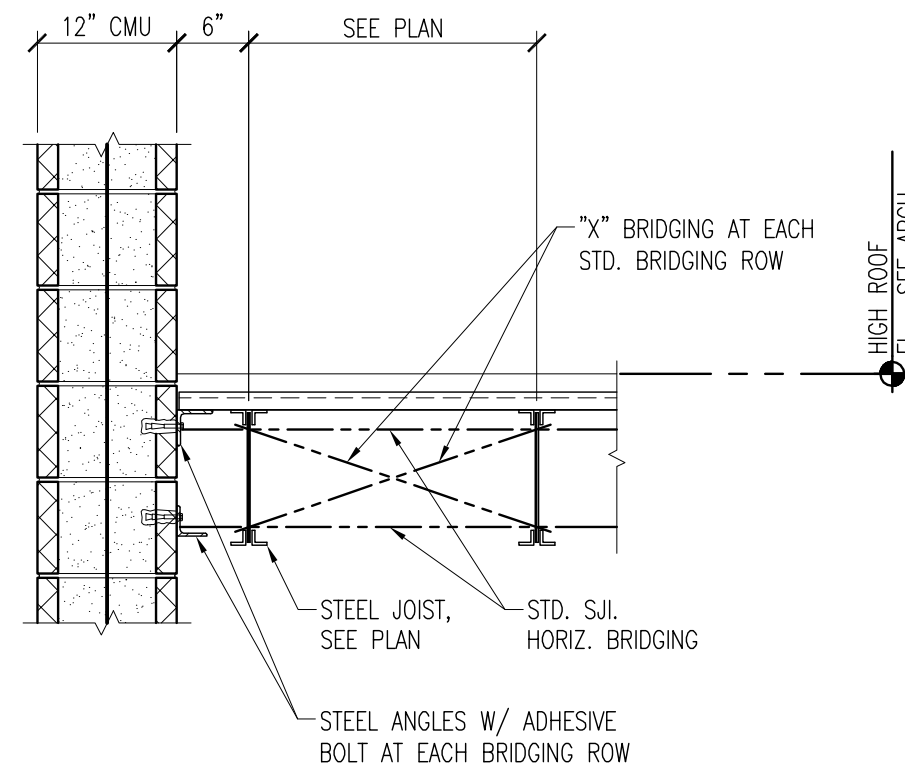
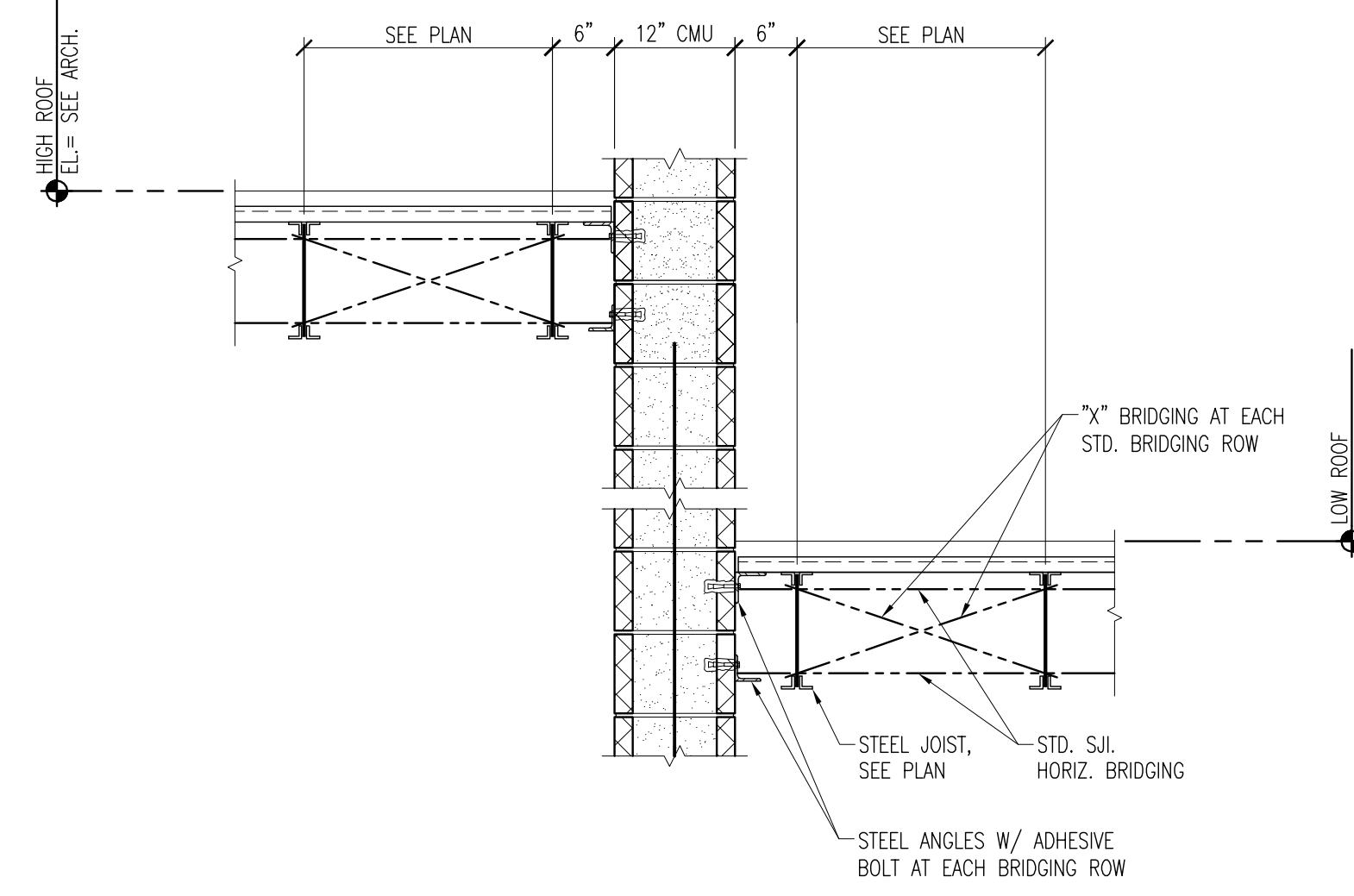


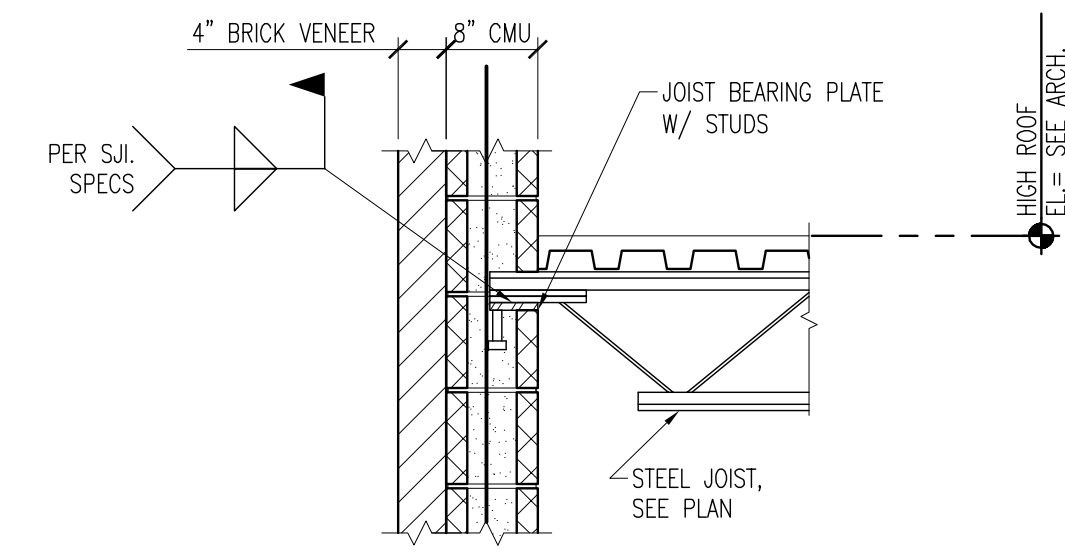
1 SECTION
S-4 SCALE: 3/4"=1'-0"



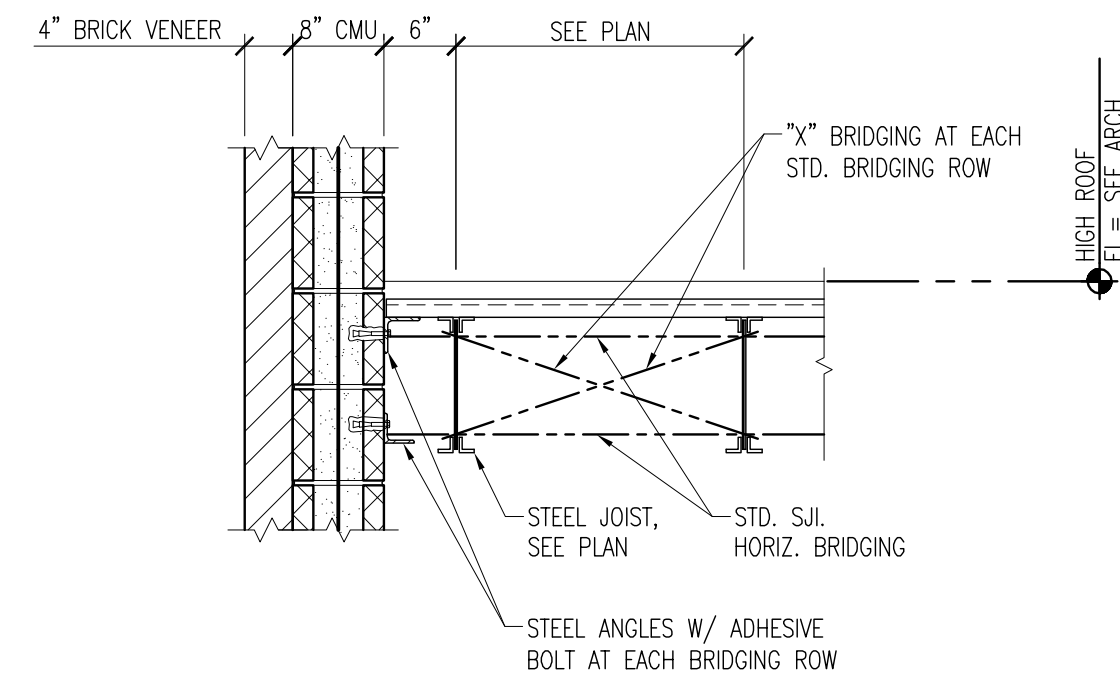
2 SECTION
S-4 SCALE: 3/4"=1'-0"



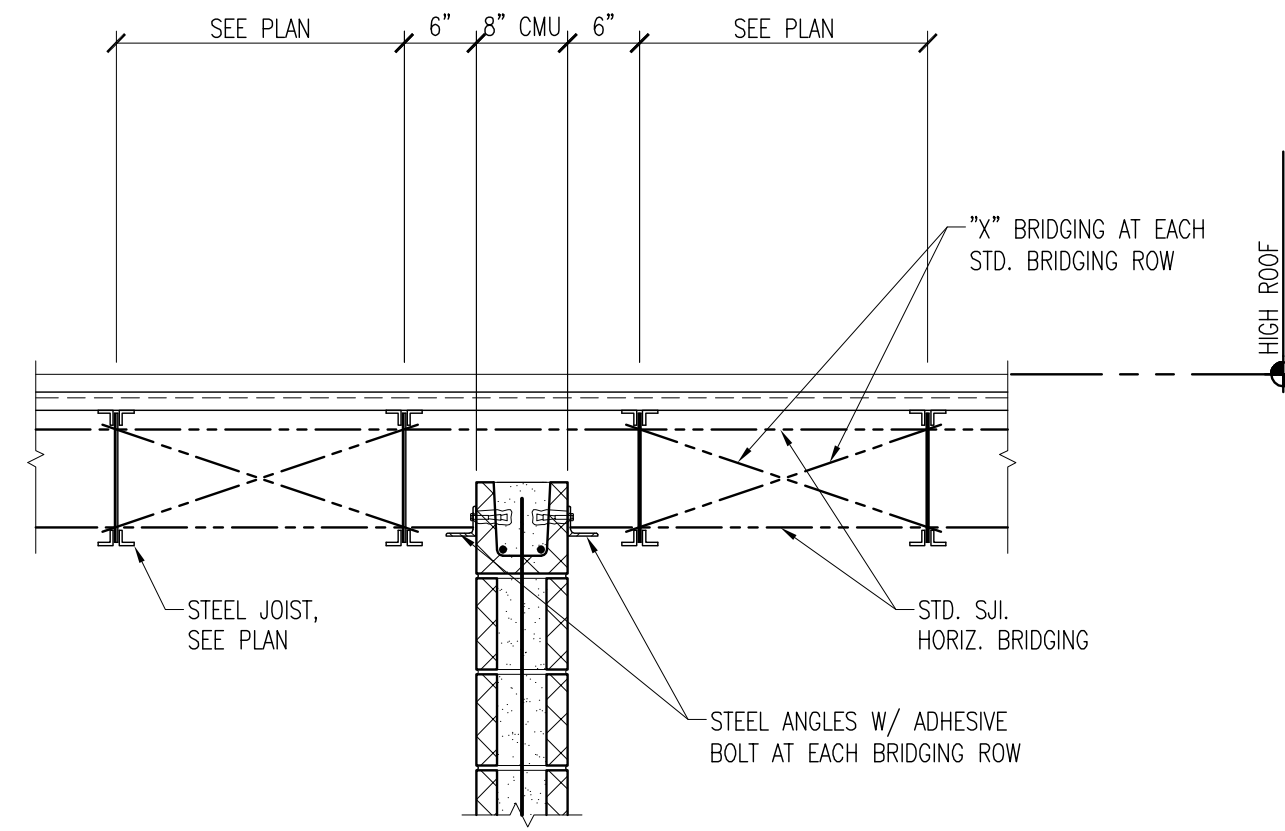
3 SECTION
S-4 SCALE: 3/4"=1'-0"



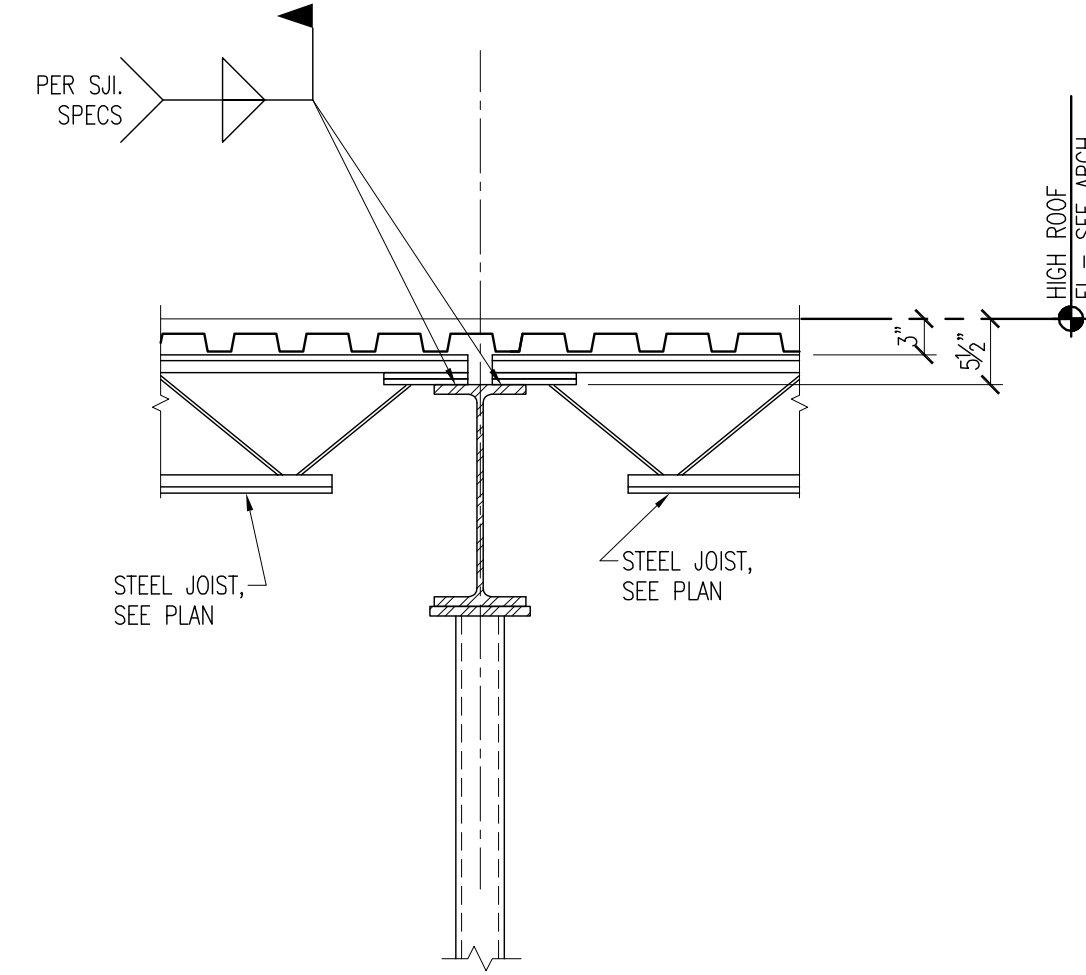
4 SECTION
S-4 SCALE: 3/4"=1'-0"



5 SECTION
S-4 SCALE: 3/4"=1'-0"



6 SECTION
S-4 SCALE: 3/4"=1'-0"



7 SECTION
S-4 SCALE: 3/4"=1'-0"

TO BE CONDUCTED BY
COGUN, INC.
11369 Market Street
North Lima, Ohio
330-549-5521

Kim Jones, A.I.A.
118 11th St. S.E.
Washington, D.C. 20003
202-543-2493

OLDE TOWN ENGINEERING CO.
STRUCTURAL CONSULTANTS
1100 W. MARKET STREET, SUITE 200
ANNAPOLIS, MD 21403
PHONE: 410-293-7700 FAX: 410-293-7700
www.olde-town.com

Sections and Details

**Light of the World
Family Ministries**
Annapolis, MD

June 21, 2007
Scale as Noted

S-4