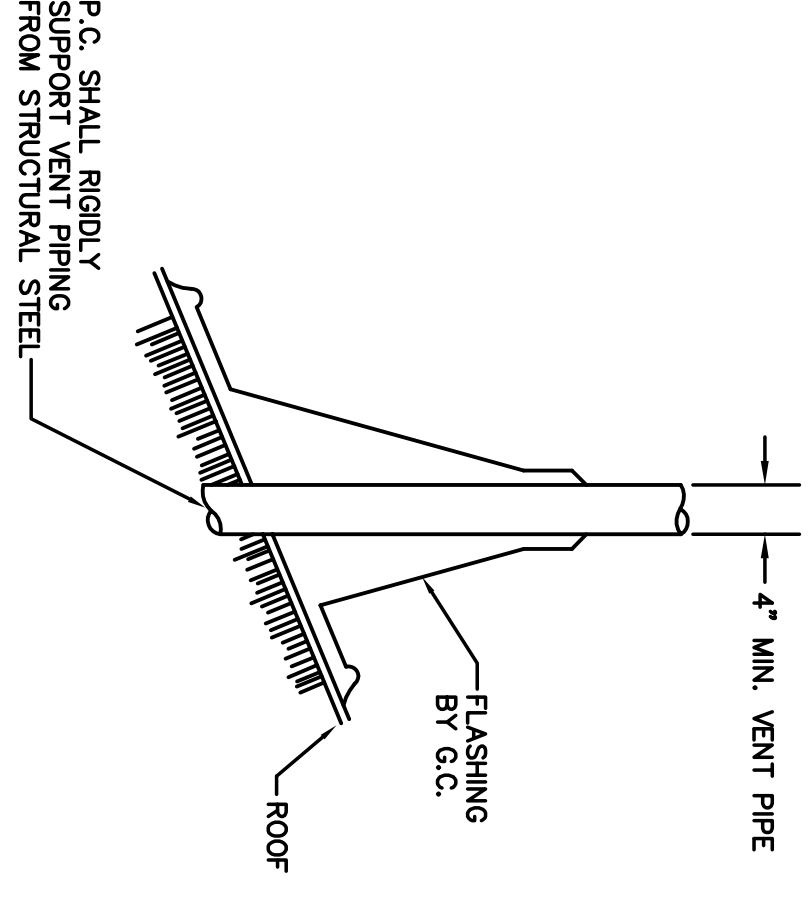
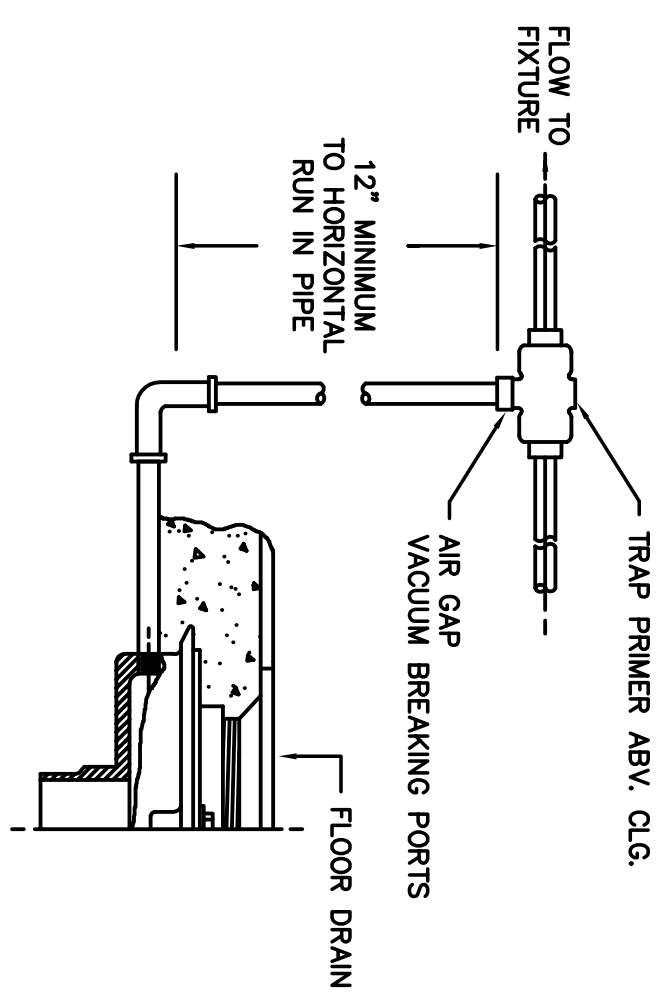


FIGURE LIST				
TYPE	ITEM	SOIL, WASTE & VENT	WATER	REMARKS
W-1	WATER CLOSET	4" SOIL, 2" VENT	1/2" CW	DISABLED
W-2	WATER CLOSET	4" SOIL, 2" VENT	1/2" CW	STANDARD
W-3	WATER CLOSET	4" SOIL, 2" VENT	1/2" CW	TODDLER
L-1	LAVATORY	1-1/2" WASTE & VENT	1/2" HW & CW	COUNTERTOP DISABLED
L-2	LAVATORY	1-1/2" WASTE & VENT	1/2" HW & CW	COUNTERTOP
L-3	LAVATORY	1-1/2" WASTE & VENT	1/2" HW & CW	WALL MOUNTED
L-4	LAVATORY	1-1/2" WASTE & VENT	1/2" HW & CW	VANTY (AT OFFICE)
U-1	URINAL	1-1/2" WASTE & VENT	3/4" CW	VERIFY WITH ARCH.
DF-1	DRINKING FOUNTAIN	1-1/2" WASTE & VENT	1/2" CW	HI-LOW COMBINATION
MB-1	MOP BASIN	3" WASTE, 2" VENT	3/4" HW & CW	24" x 24"
TUB-1	TUB WITH SHOWER	2" WASTE, 2" VENT	1/2" HW & CW	-----
WH-1	WATER HEATER	-----	1 1/2" HW & CW	40 GALLON CAPACITY

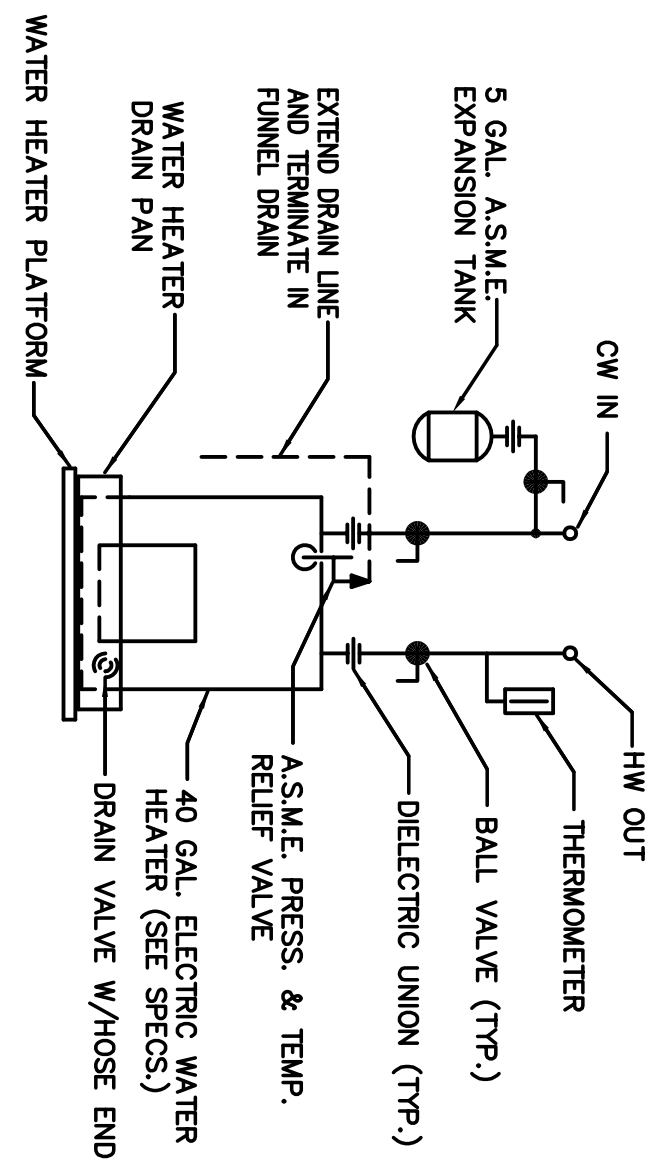
NOTE:
 INDIVIDUAL WASTE, VENT AND WATER CONNECTION
 SHALL BE AS INDICATED ABOVE UNLESS NOTED
 OTHERWISE ON FLOOR PLANS.



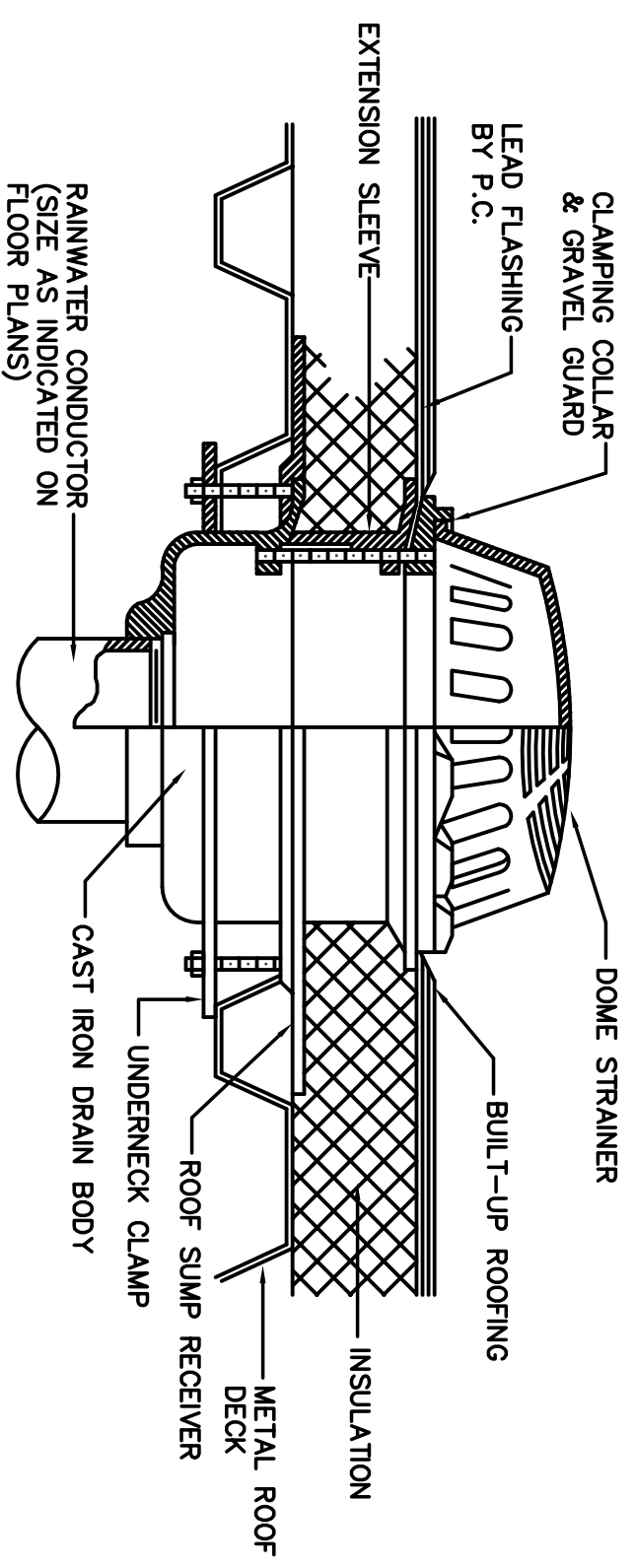
VENT THRU ROOF DETAIL
 N.T.S.



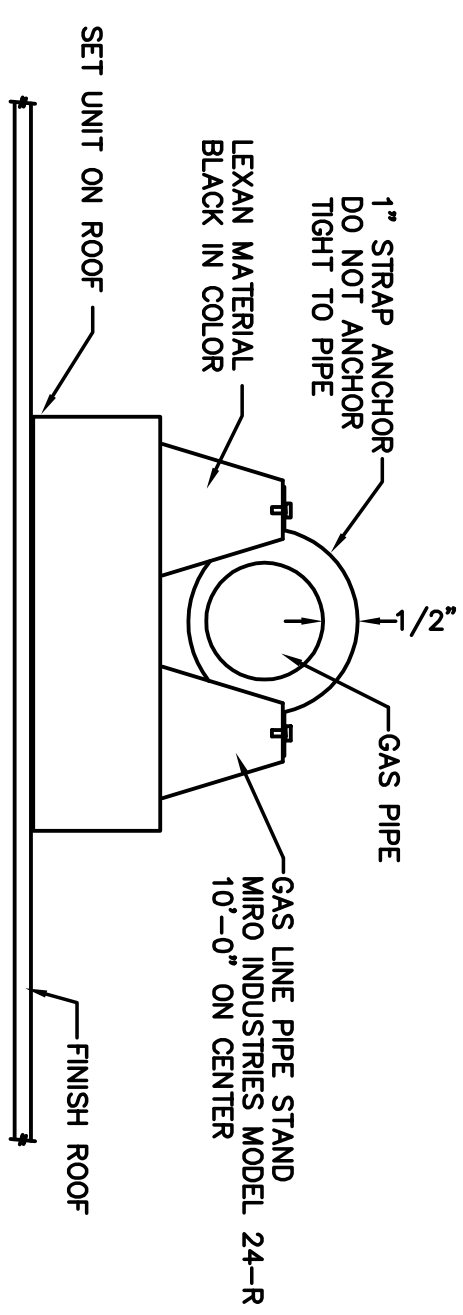
TRAP PRIMER DETAIL
 N.T.S.



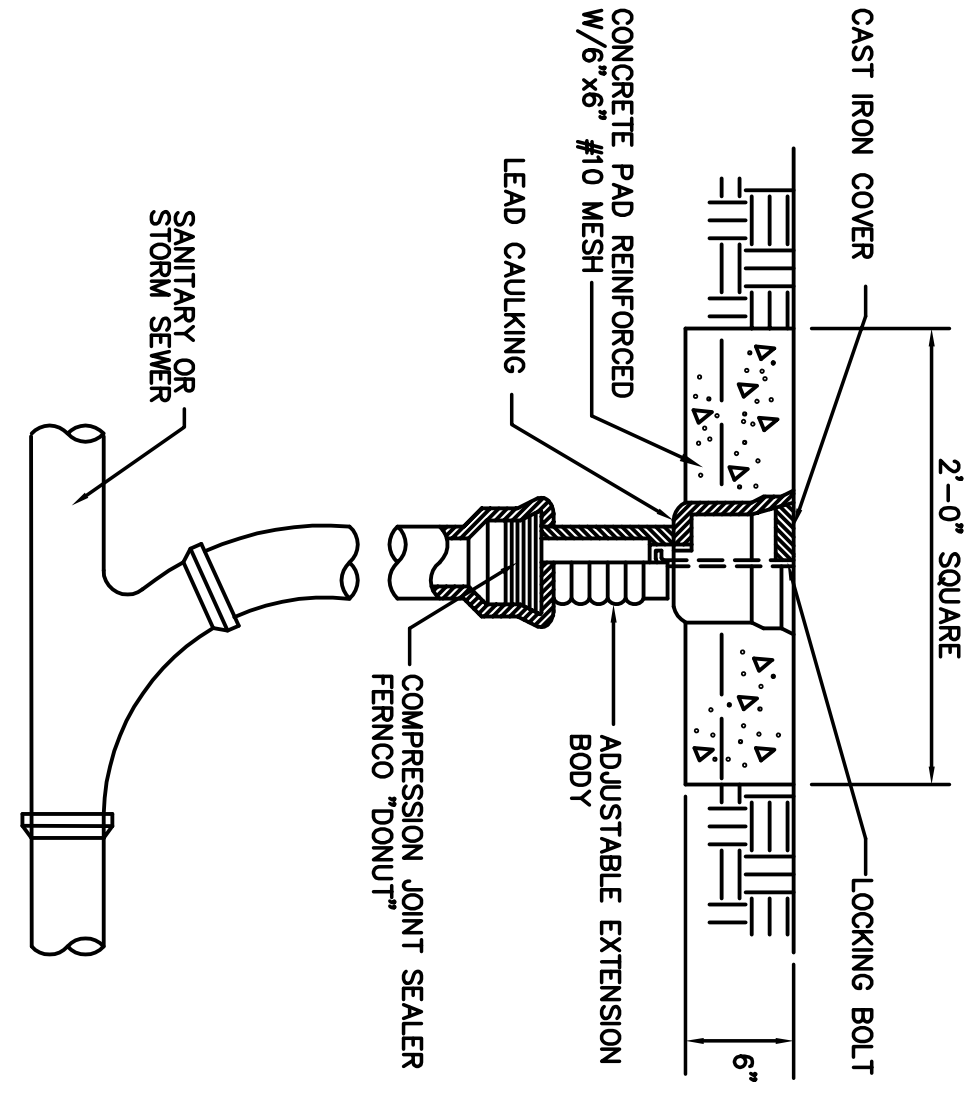
ELECTRIC WATER HEATER DETAIL
 NO SCALE



TYPICAL ROOF DRAIN DETAIL
 N.T.S.



GAS LINE ROOF SUPPORT DETAIL
 N.T.S.



CLEANOUT TO GRADE DETAIL
 N.T.S.