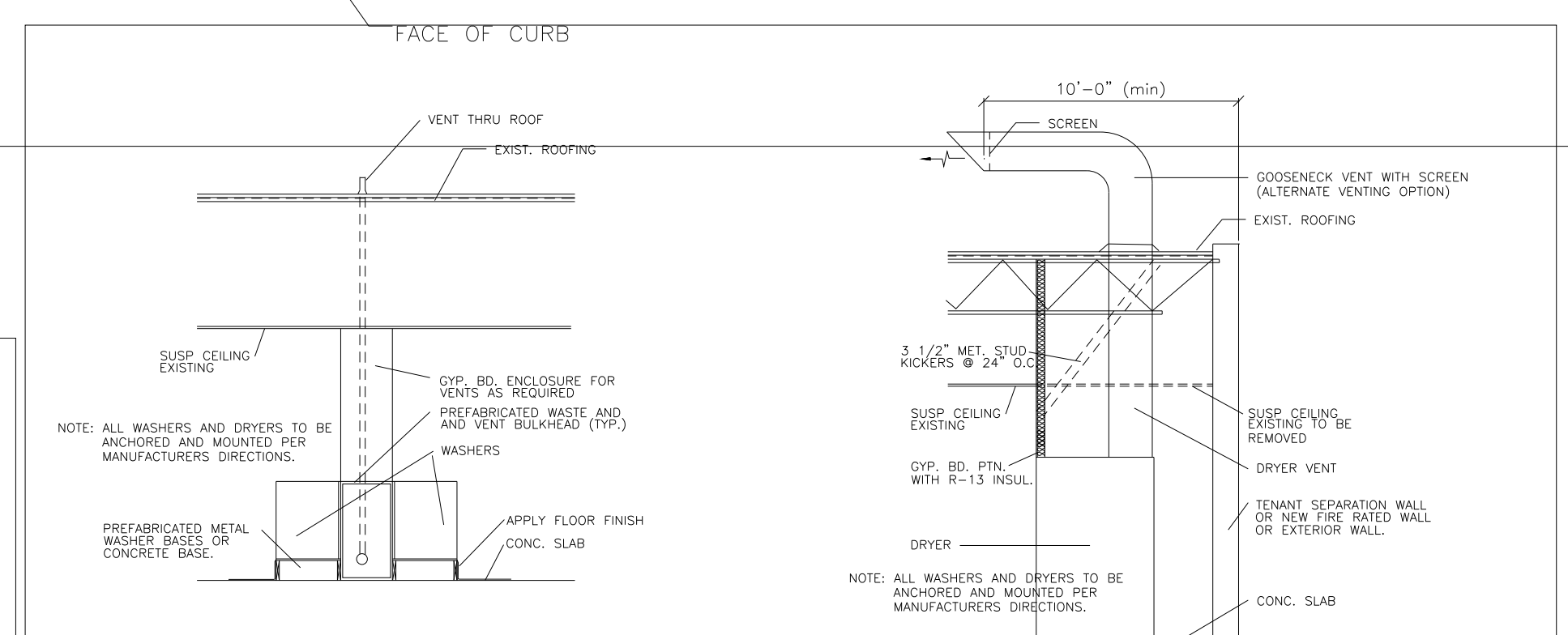
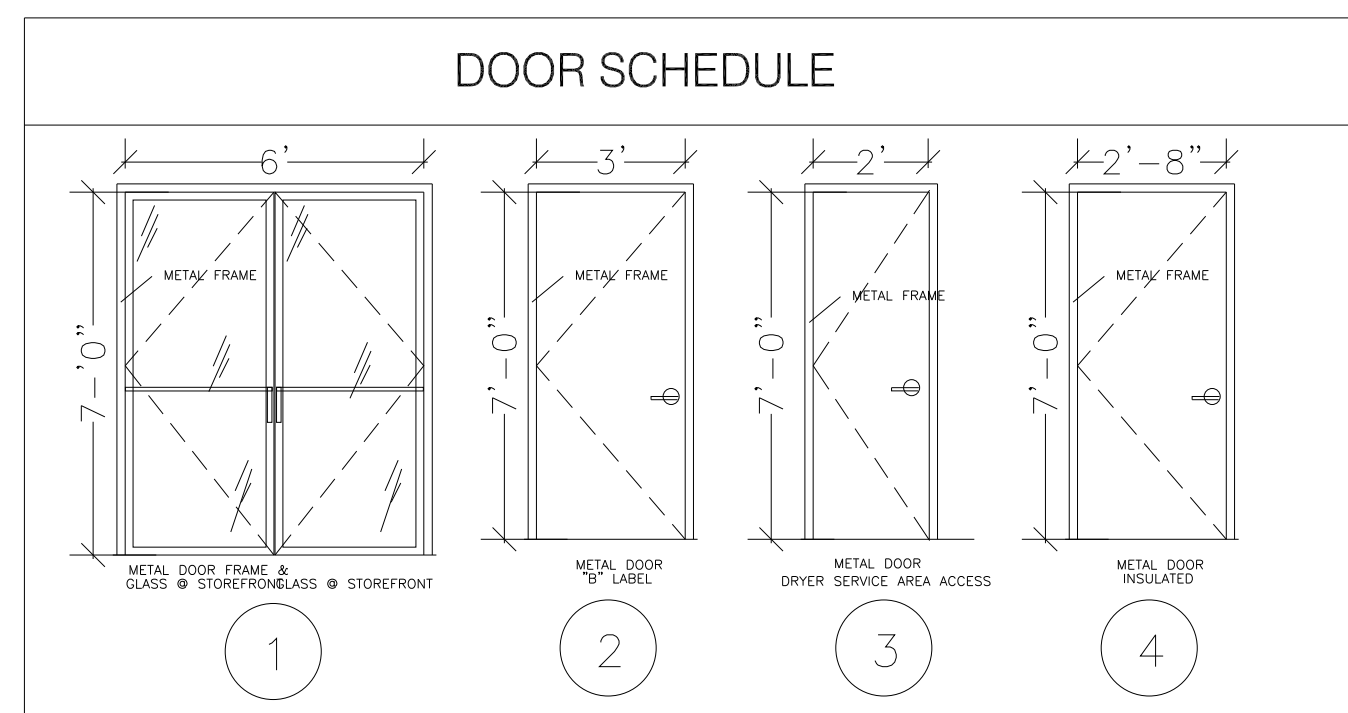


FLOOR PLAN
Scale: 1/4"=1'-0"



A TYP. WASHER PLATFORM DETAIL N.T.S. **B** ALT. BULKHEAD/VENTING DETAIL N.T.S.

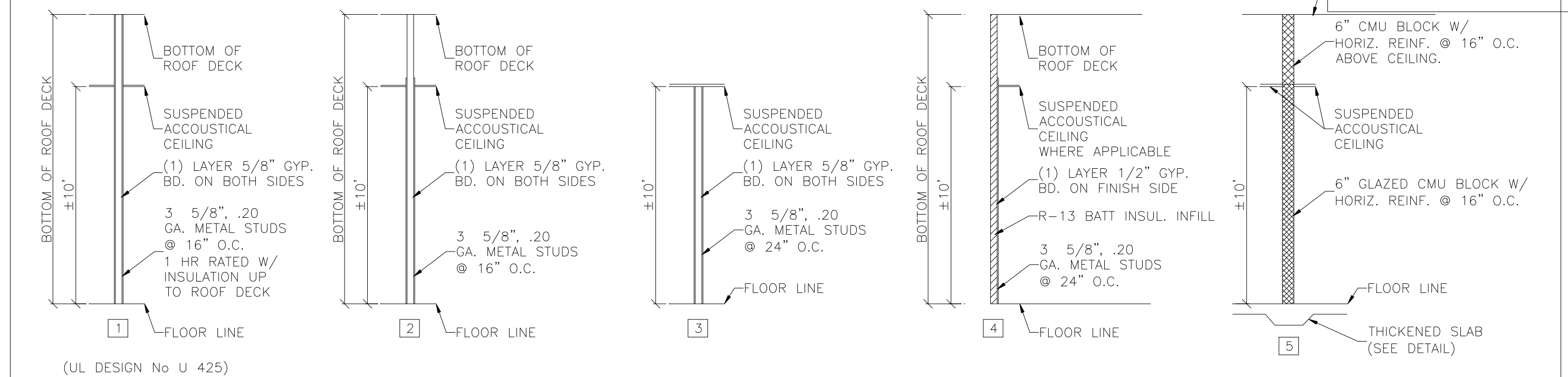
LAUNDRY EQUIPMENT SCHEDULE				ELECTRICAL REQUIREMENTS					
ITEM	QTY.	MANUFACTURER	MODEL	DESCRIPTION	FLA & CIRCUIT BREAKER SIZES				
					RED'D. N.D. OF CHKS. PER MACHINE	HP	KW	150/40/18" 120V/60/78" 2 WIRE-GRD	REMARKS
					FLA	BKR	FLA	BKR	
①	16	SPEED QUEEN	SC20	TOP LOAD WASHER	1				
②	14	SPEED QUEEN	SC30	FRONT LOAD WASHER	1				
③	14	SPEED QUEEN	SC40	FRONT LOAD WASHER	1				
④	10	SPEED QUEEN	SC60	FRONT LOAD WASHER	1				
⑤	4	SPEED QUEEN	SC80	FRONT LOAD WASHER	1				
⑥	10	SPEED QUEEN	ST130	STACK GAS DRYER	1				
⑦	14	SPEED QUEEN	ST145	STACK GAS DRYER	1				
⑧	12	SPEED QUEEN	ST175	SINGLE GAS DRYER	1				
⑨	2	HAMILTON ENGINEERING	HW 299 R HW 399	GAS WATER HTR.	1	2.0	15		
⑩	2	EDS	VTM	CARD SYSTEM	1	5.0	15		
⑪	2	ROWE	500	BILL CHANGER	1	5.0	15		



DOOR SCHEDULE

DOOR NOTES

EXIT DOOR SHALL BE OPERABLE WITHOUT THE USE OF KEYS, SPECIAL KNOWLEDGE OR EFFORT.
 ALL DOORS SHALL HAVE A MINIMUM CLEAR OPENING WIDTH OF 32".
 ALL DOOR LATCHES SHALL BE EQUIPPED WITH LEVER-TYPE HANDLES OR PANIC BARS.
 DOOR OPENING HARDWARE SHALL BE MOUNTED BETWEEN 30 & 44 INCHES ABOVE FINISH FLOOR.
 FLOOR AREAS AT EACH SIDE OF ALL DOORS SHALL BE CLEAR AND LEVEL. MAXIMUM THRESHOLD HEIGHT SHALL BE 1/2".

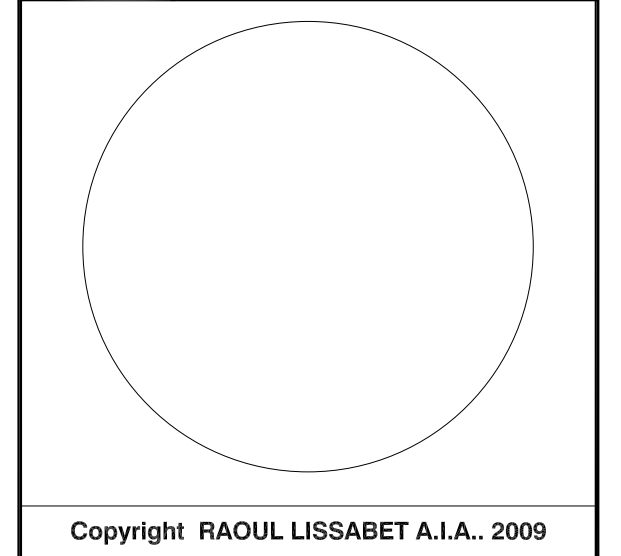


(UL DESIGN No U 425)

ARCHITECTS

RAOUL LISSABET A.I.A.
 ARCHITECTS / PLANNERS / DESIGN - BUILD

19021 SEDLEY TERRACE
 GAITHERSBURG, MARYLAND 20879
 Tel: (301) 948-3197 / Fax: (301) 990-4169



Copyright RAOUL LISSABET A.I.A. 2009

Issue Date:

No.	Date	Revisions Description
1		
2		

PERMIT SET
 AUG. 1, 2009

LAUNDROMAT FIT-UP PLANS
 8010 FENTON STREET
 SILVER SPRING MD, 20910

Project Number: Drawn By:
 Designed By: Checked By:
 Sheet Title:
FLOOR PLAN
 Sheet Number:
A-1