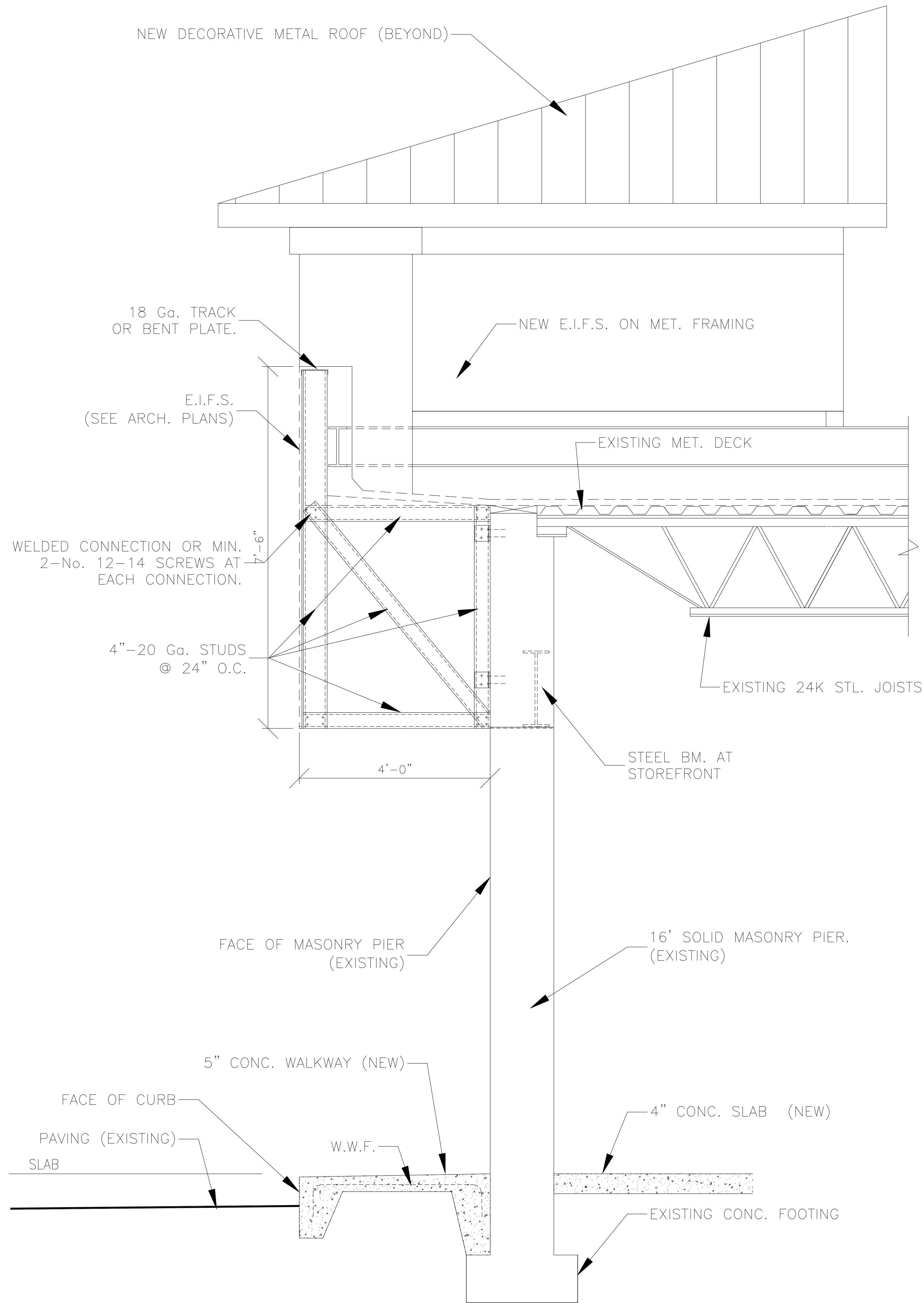


SECTION-1
SCALE: 3/4"=1'-0"

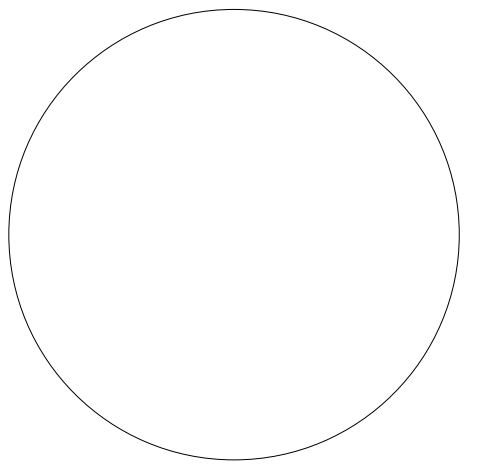


SECTION-2
SCALE: 3/4"=1'-0"

ARCHITECTS

RAOUL LISSABET A.I.A.
ARCHITECTS / PLANNERS / DESIGN - BUILD

19021 SEDLEY TERRACE
GAITHERSBURG, MARYLAND 20879
Tel: (301) 948-3197 / Fax: (301) 990-4169



Copyright RAOUL LISSABET A.I.A. 2009

Issue Date:

Revisions

No.	Date	Description
1		
2		

PERMIT SET

AUG. 1, 2009

LAUNDROMAT FIT-UP PLANS
8010 FENTON STREET
SILVER SPRING MD, 20910

Project Number: Drawn By:

Designed By: Checked By:

Sheet Title:

DECORATIVE CANOPY

DETAIL SECTION

Sheet Number:

S-2